



**PURCHASING SECTION**  
13450 – 104 Avenue, Surrey BC V3T 1V8  
Tel: 604-590-7274  
E-mail: [purchasing@surrey.ca](mailto:purchasing@surrey.ca)

**ADDENDUM NO. 2**

---

**REQUEST FOR QUOTATIONS (RFQ) NO.:** 1220-040-2019-032  
**TITLE:** CLOVERDALE CURLING RINK STAIR RENOVATION  
**ADDENDUM ISSUE DATE:** MAY 31, 2019  
**CLOSING DATE AND TIME:** PREFER TO RECEIVE QUOTATIONS ON OR BEFORE JUNE 5, 2019.

---

**INFORMATION FOR CONTRACTORS**

This Addendum is issued to provide additional information to the RFQ for the above named project, to the extent referenced and shall become a part thereof. No consideration will be allowed for extras due to the Contractor not being familiar with this Addendum. This Addendum No. 2 contains two (2) pages plus one (1) attachment for three (3) pages in total.

**Q1: Is the wall on Gridline G remaining?**

**A1: Yes.**

**Q2: Will the gas meter be moved prior to our work starting**

**A2: Yes.**

**Q3: Are there any electrical plans/specifications?**

**A3: No.**

**Q4: Can you confirm if the condenser unit shown under the stairs is connected to the large cooler on the 2nd floor?**

**A4: There is no functioning condenser unit under the stairs. All these items are to be disposed.**

**Q5: Is the intent with the roof hatch to restore it to an as new condition? Or just salvage & reinstall as is? If so it would be more cost effective to provide a new roof access hatch rather than restore the existing?**

**A5: Dispose existing roof hatch and supply/install a new one if it's more cost effective.**

**REPLACEMENT ROOF HATCH**

**MAXAM METAL PRODUCTS MODEL RHS-3 (2'-6" x 4'-0"):** Insulated Steel Curb Roof Hatch

Material: Cover: 14 gauge satin finish galvanized steel.

Cover Liner: 22 gauge satin finished galvanized steel.

Curb Frame: 12" high in 14 gauge satin finish galvanized steel.

Latch: Zinc plated spring latch with inside and outside padlock hasps.

Lid/Cover Operator:

Heavy duty pintle/spring counter-balancing operators encased in a 12 gauge galvanized steel hinge bracket assembly.

Hold Open Arm: Powder coated safety red steel hold open arm with release handle.

Gasket: Enhanced weather resistant EPDM.

Insulation: 1" thick polyisocyanurate insulation R-6 (5.6 LTTR) in cover.

1" thick polyisocyanurate insulation R-6 (5.6 LTTR) on curb.

Mounting Flange: 3 1/2" wide complete with 7/16" mounting holes.

Finish: Rust inhibitive grey primer.

Warranty: Maxam Metal Products Ltd. guarantees all roof hatch products to be free from defects in workmanship for a time period of five years from the date of shipping.

**MAXAM METAL PRODUCTS LTD.**

Telephone: +1(604) 433-4243

Fax: +1(604) 433-4148.

**END OF ADDENDUM**

---

---

**All Addenda will become part of the RFQ Documents.**

---

---



Maxam Metal Products Ltd.  
British Columbia, Canada

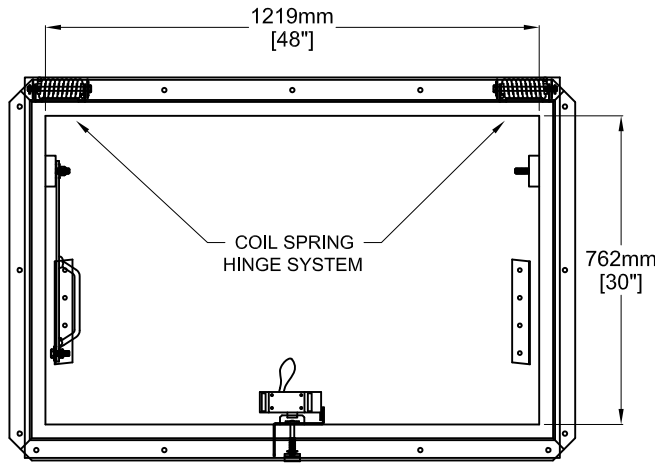
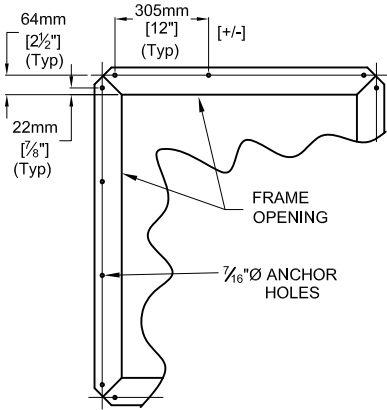
Tel: 604-433-4243  
Fax: 604-433-4148

Toll Free Tel: 1-866-446-2926  
Toll Free Fax: 1-866-436-2926

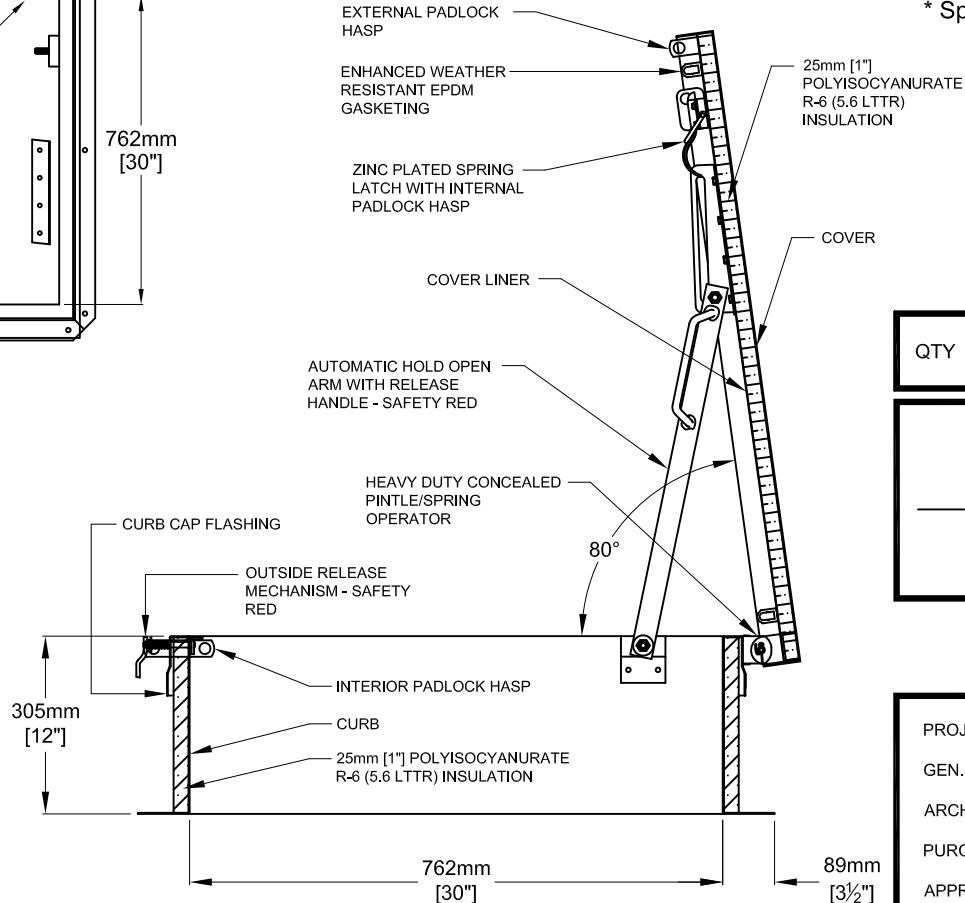
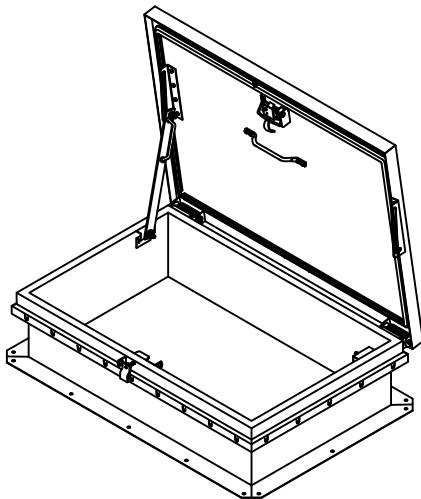
Website: www.maxammetal.com  
Email: info@maxammetal.com

## 30" X 48" [762mm X 1219mm] ROOF HATCH

### ANCHOR HOLE LAYOUT



**PLAN VIEW**



**SECTION**

### FACTORY FINISHES

GALVANIZED (GALVANNEALED) STEEL - GREY PRIME.

HARDWARE - ZINC PLATED SPRING LATCH c/w INTERNAL & EXTERNAL PADLOCK HASPS.

NOTE : - HOLD OPEN ARM - STANDARD POWDER COATED SAFETY RED.

- NUMBER OF HINGES AND COIL SPRINGS WILL VARY WITH SIZE OF HATCH.

- HOLD OPEN ARM DESIGNED TO BE MOVABLE FROM ONE SIDE TO ANOTHER TO ACCOMMODATE SITE CONDITION.

- LIVE LOAD = 40 LBS PER SQUARE FOOT.

\* Specifications subject to change without notice.

### LIMITED 5 YEAR WARRANTY

QTY	MODEL	MATERIAL	COVER	CURB	COVER LINER
___	RHS-3	GALV. STEEL	STEEL 14 ga 1.99mm	STEEL 14 ga 1.99mm	STEEL 22 ga 0.85mm

PROJECT: \_\_\_\_\_

GEN. CONTRACTOR: \_\_\_\_\_

ARCH. OR ENG.: \_\_\_\_\_

PURCHASE ORDER: \_\_\_\_\_ DATE: \_\_\_\_\_

APPROVED BY: \_\_\_\_\_