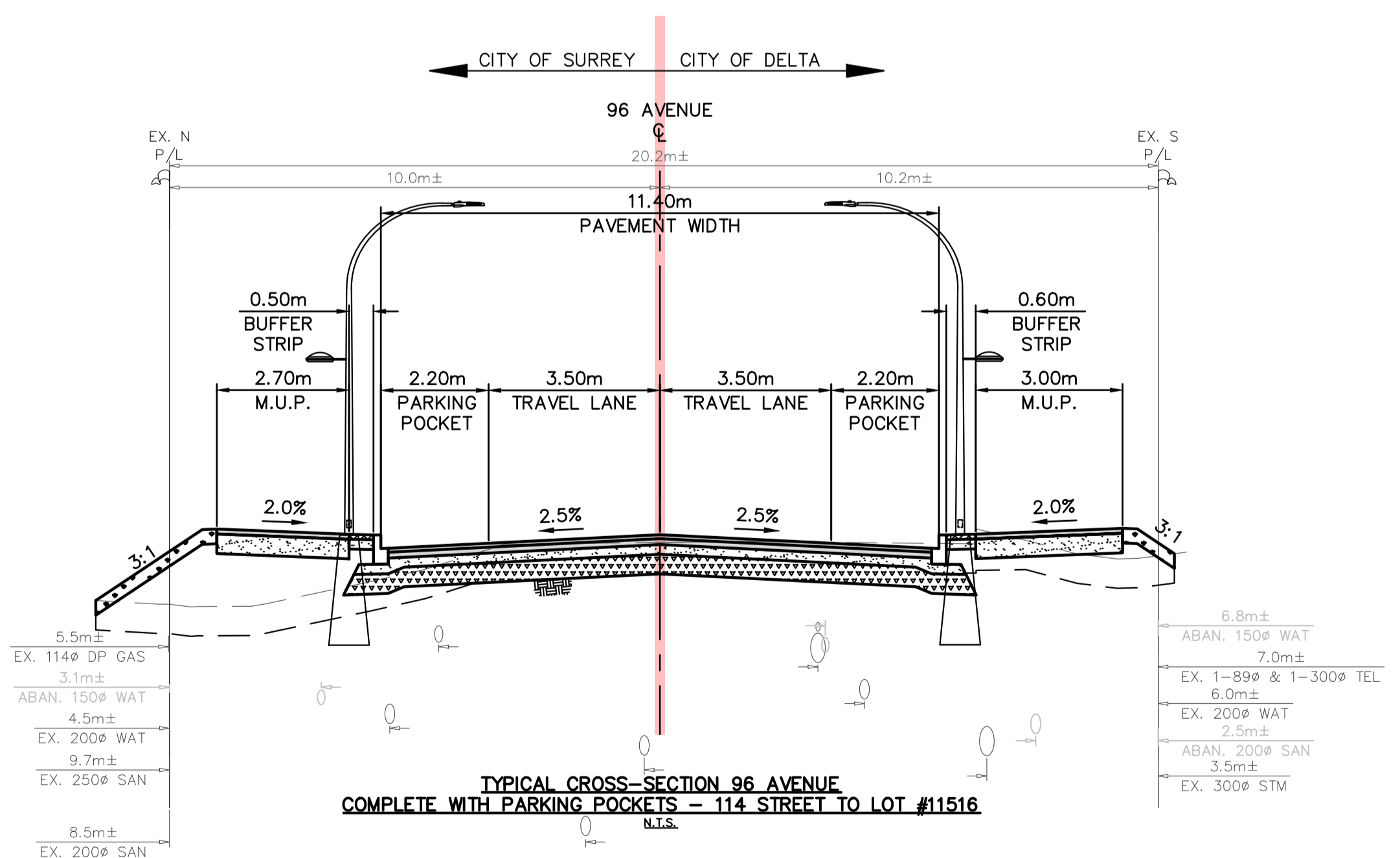
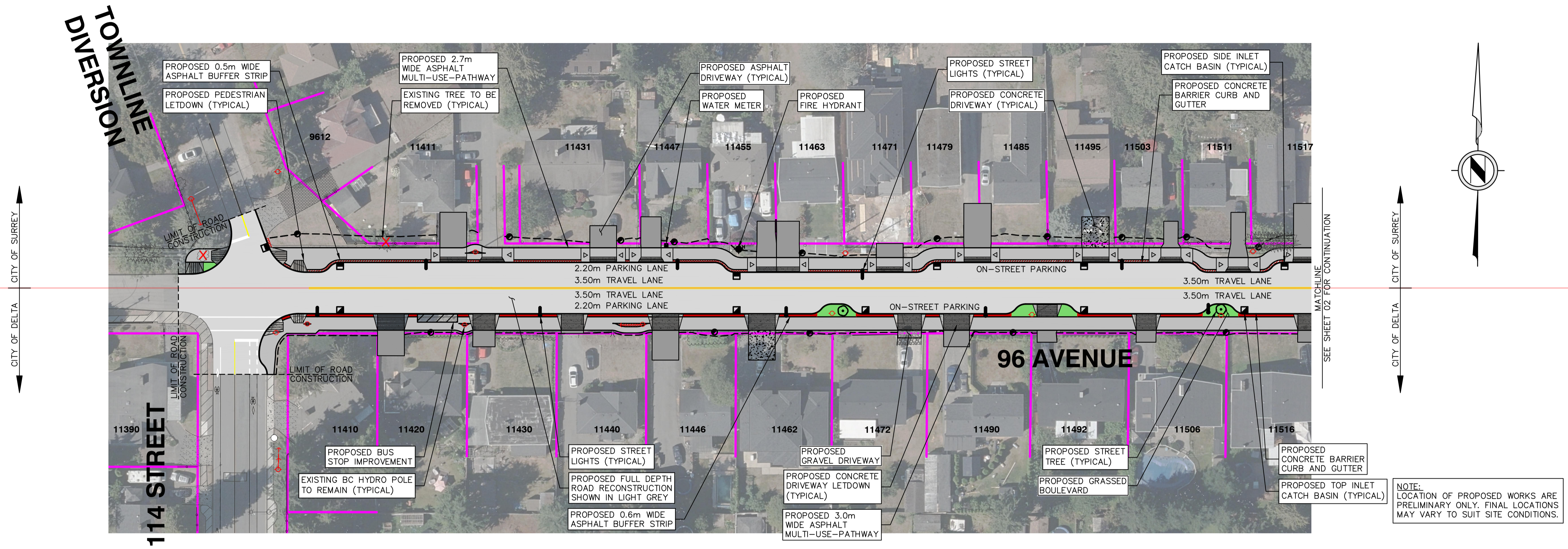


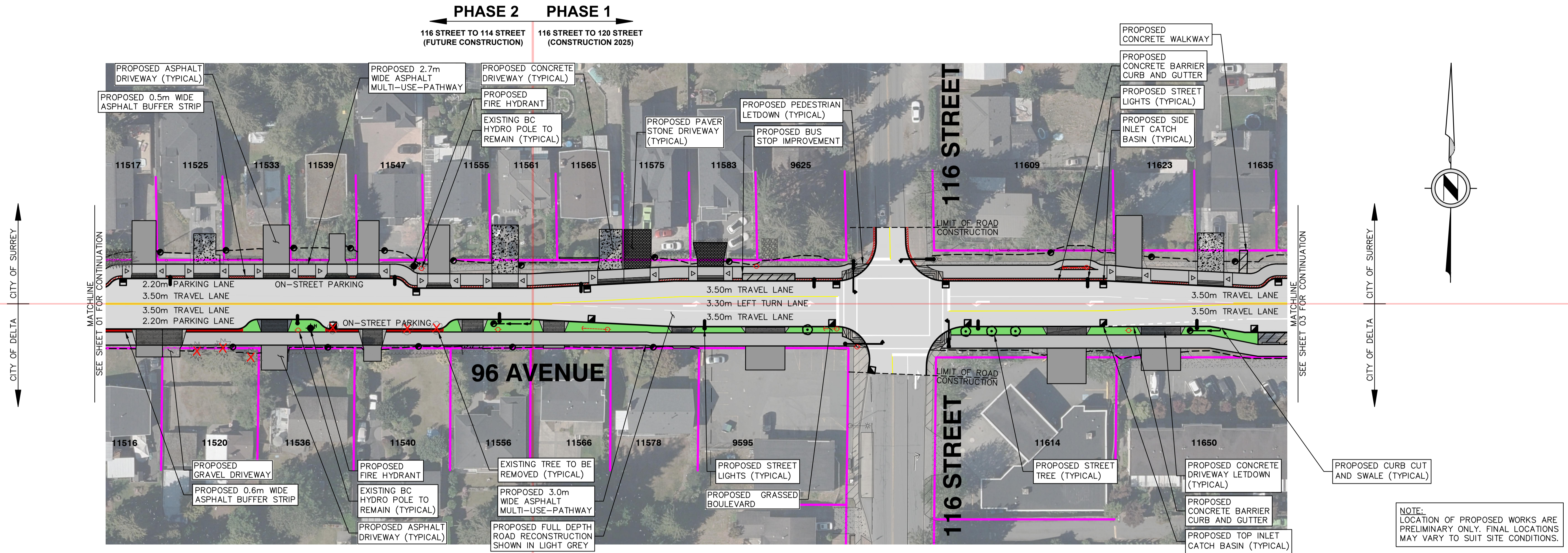
PROPOSED 96 AVENUE ROAD IMPROVEMENTS (FROM 114 STREET TO 120 STREET)



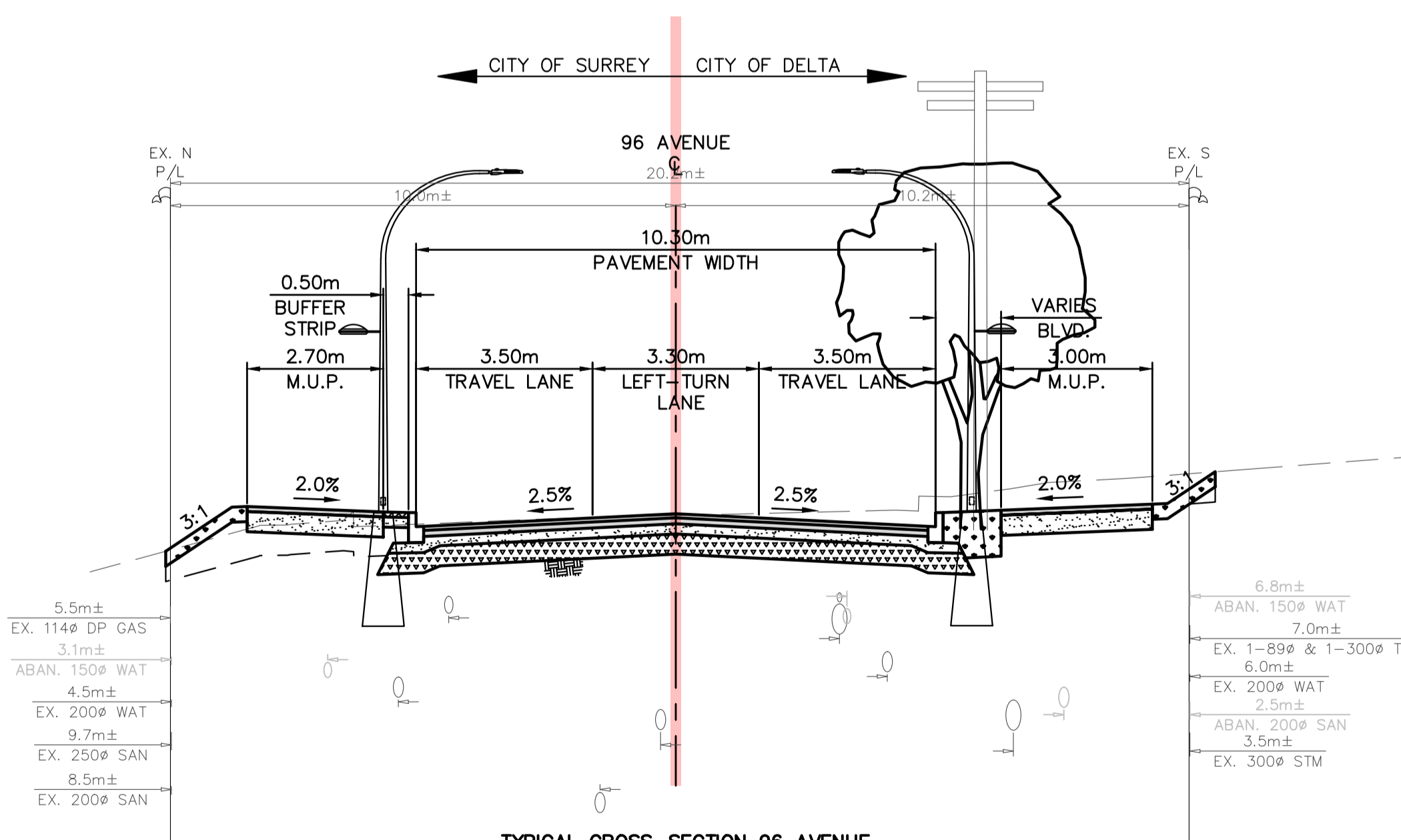
LEGEND	
[Pattern]	PROPOSED ROAD REHABILITATION
[Pattern]	PROPOSED ASPHALT M.U.P.
[Pattern]	PROPOSED CONCRETE SIDEWALK
[Pattern]	PROPOSED PAVER DRIVEWAY
[Pattern]	PROPOSED ASPHALT DRIVEWAY
[Pattern]	PROPOSED CONCRETE DRIVEWAY
[Pattern]	PROPOSED BOULEVARD
[Pattern]	PROPOSED ASPHALT BUFFER STRIP
[Symbol]	PROPOSED STREET LIGHT/MULTI-USE-PATHWAY LIGHT
[Symbol]	PROPOSED LIGHT ON EXISTING TRAFFIC SIGNAL
[Symbol]	PROPOSED RAILWAY SIGN AND FLASHERS
[Symbol]	PROPOSED BOULEVARD TREE
[Symbol]	PROPOSED CATCHBASIN
[Symbol]	PROPOSED LAWNBASIN
[Symbol]	PROPOSED WATER HYDRANT
[Symbol]	EXISTING HYDRO POLE AND GUY WIRE
[Symbol]	TREE TO BE REMOVED

SCALE: 1:500 PAGE 01 OF 05

PROPOSED 96 AVENUE ROAD IMPROVEMENTS (FROM 114 STREET TO 120 STREET)



NOTE:
LOCATION OF PROPOSED WORKS ARE
PRELIMINARY ONLY. FINAL LOCATIONS
MAY VARY TO SUIT SITE CONDITIONS.

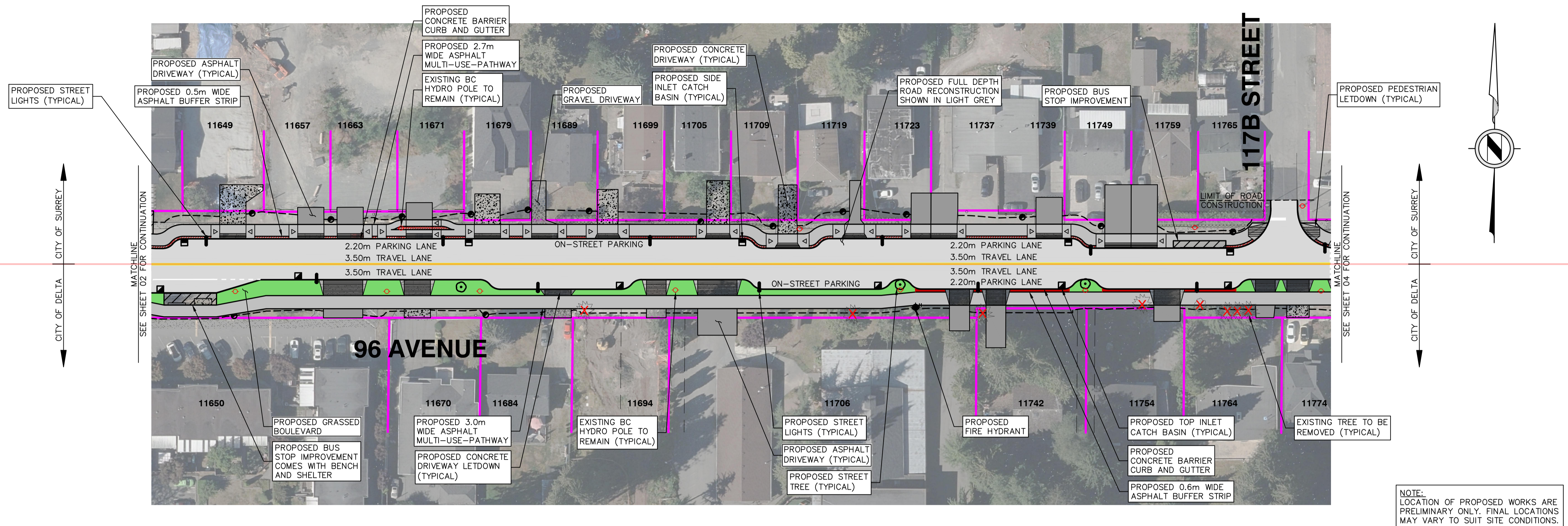


TYPICAL CROSS-SECTION 96 AVENUE
LEFT TURN LANE FROM LOT #11566 TO LOT #11650
N.T.S.

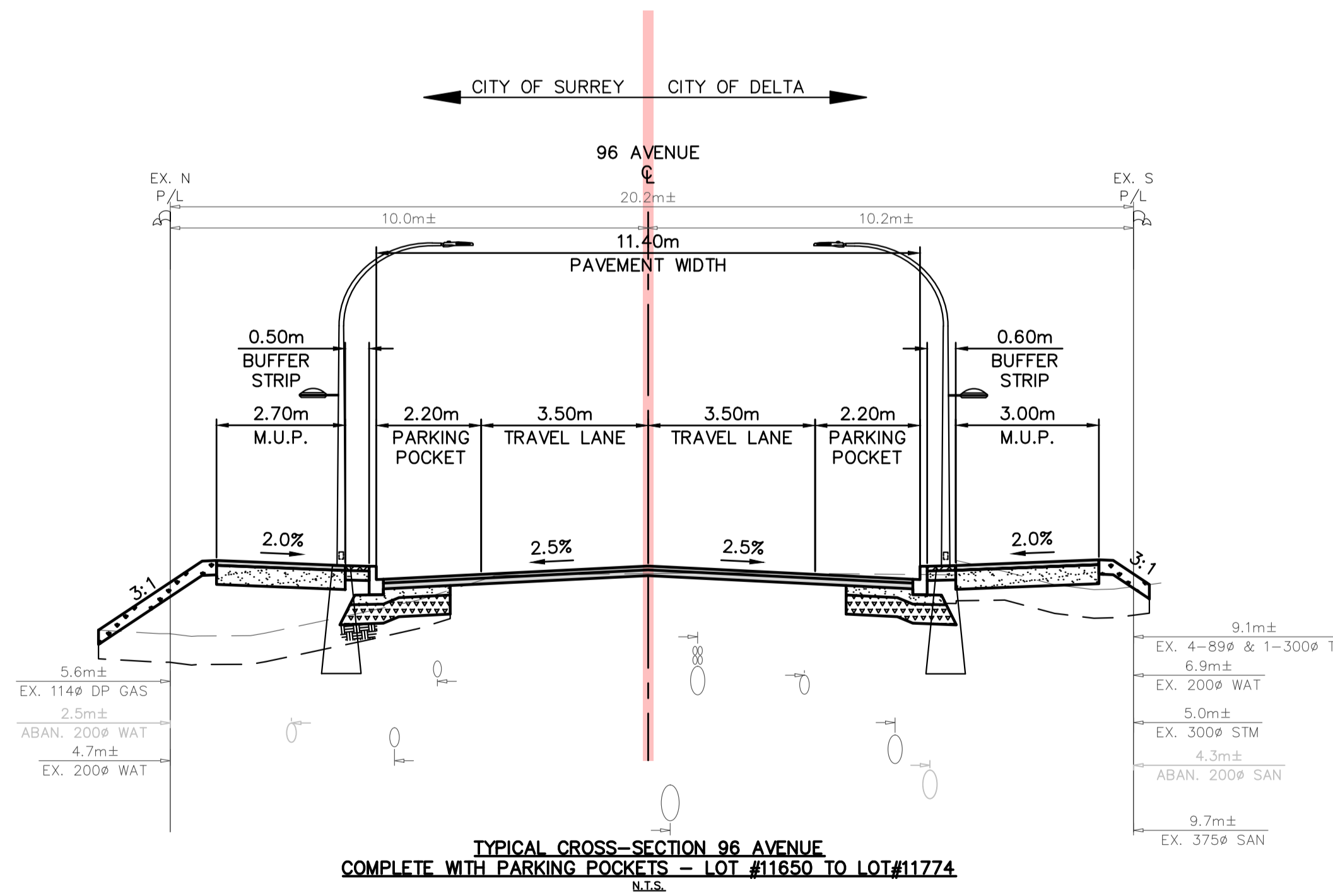
LEGEND	
	PROPOSED ROAD REHABILITATION
	PROPOSED ASPHALT M.U.P.
	PROPOSED CONCRETE SIDEWALK
	PROPOSED PAVER DRIVEWAY
	PROPOSED ASPHALT DRIVEWAY
	PROPOSED CONCRETE DRIVEWAY
	PROPOSED BOULEVARD
	PROPOSED ASPHALT BUFFER STRIP
	PROPOSED STREET LIGHT/MULTI-USE-PATHWAY LIGHT
	PROPOSED LIGHT ON EXISTING TRAFFIC SIGNAL
	PROPOSED RAILWAY SIGN AND FLASHERS
	PROPOSED BOULEVARD TREE
	PROPOSED CATCHBASIN
	PROPOSED LAWNBASIN
	PROPOSED WATER HYDRANT
	EXISTING HYDRO POLE AND GUY WIRE
	TREE TO BE REMOVED

SCALE: 1:500 PAGE 02 OF 05

PROPOSED 96 AVENUE ROAD IMPROVEMENTS (FROM 114 STREET TO 120 STREET)



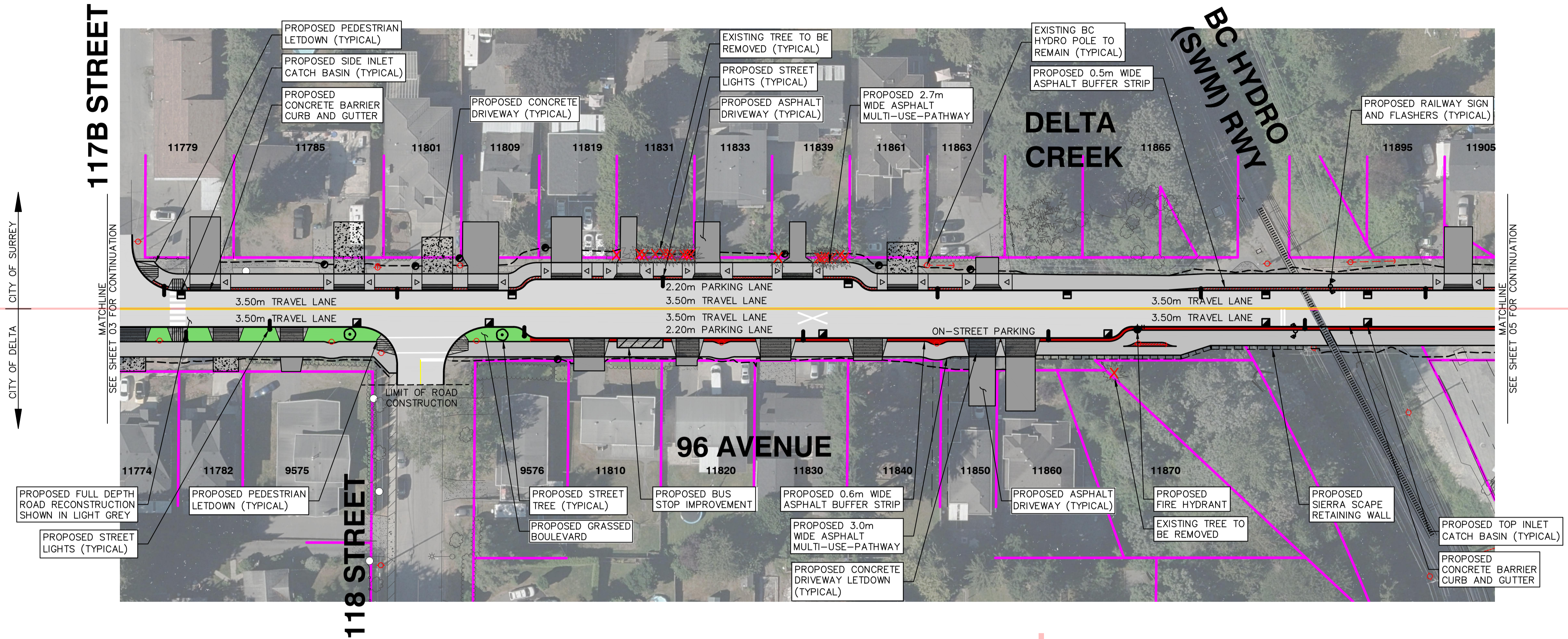
NOTE:
LOCATION OF PROPOSED WORKS ARE
PRELIMINARY ONLY. FINAL LOCATIONS
MAY VARY TO SUIT SITE CONDITIONS.



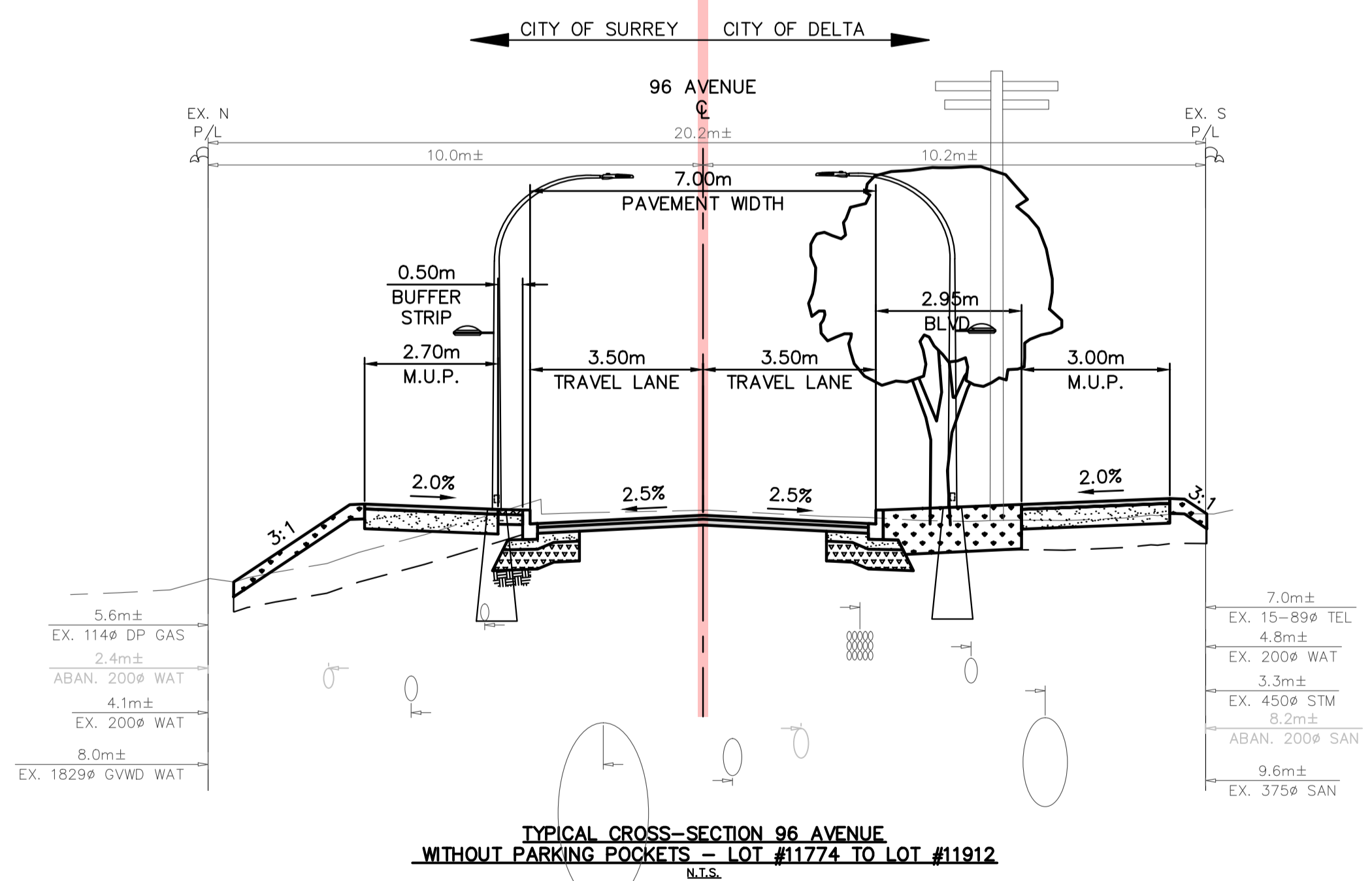
LEGEND	
	PROPOSED ROAD REHABILITATION
	PROPOSED ASPHALT M.U.P.
	PROPOSED CONCRETE SIDEWALK
	PROPOSED PAVER DRIVEWAY
	PROPOSED ASPHALT DRIVEWAY
	PROPOSED CONCRETE DRIVEWAY
	PROPOSED BOULEVARD
	PROPOSED ASPHALT BUFFER STRIP
	PROPOSED STREET LIGHT/MULTI-USE-PATHWAY LIGHT
	PROPOSED LIGHT ON EXISTING TRAFFIC SIGNAL
	PROPOSED RAILWAY SIGN AND FLASHERS
	PROPOSED BOULEVARD TREE
	PROPOSED CATCHBASIN
	PROPOSED LAWNBASIN
	PROPOSED WATER HYDRANT
	EXISTING HYDRO POLE AND GUY WIRE
	TREE TO BE REMOVED

SCALE: 1:500 PAGE 03 OF 05

PROPOSED 96 AVENUE ROAD IMPROVEMENTS (FROM 114 STREET TO 120 STREET)



NOTE:
LOCATION OF PROPOSED WORKS ARE
PRELIMINARY ONLY. FINAL LOCATIONS
MAY VARY TO SUIT SITE CONDITIONS.

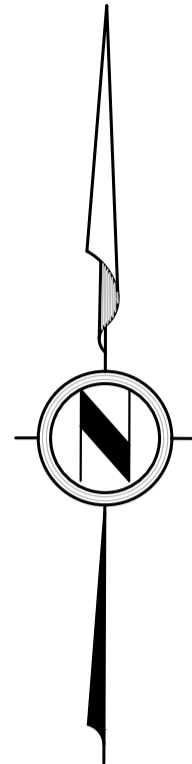
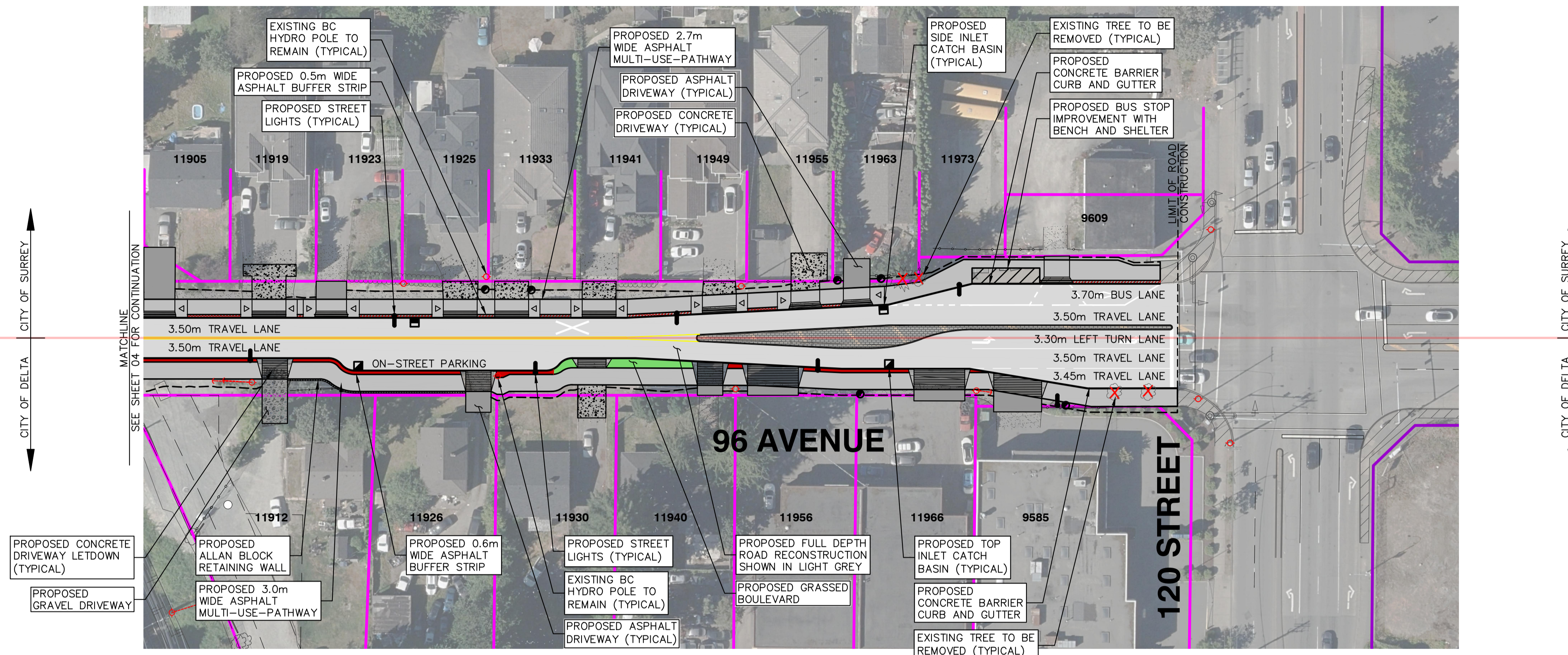


TYPICAL CROSS-SECTION 96 AVENUE
WITHOUT PARKING POCKETS - LOT #11774 TO LOT #11912
N.T.S.

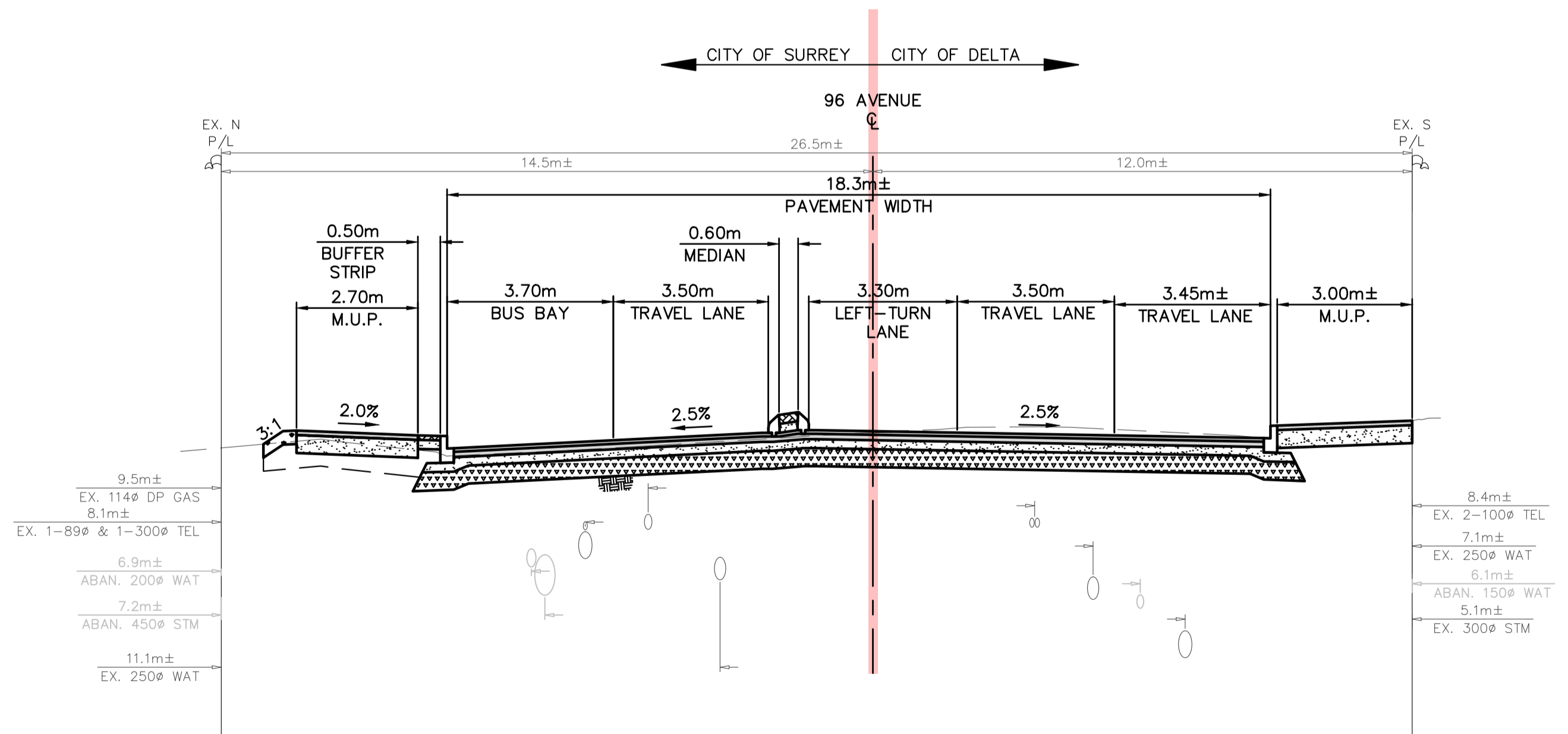
LEGEND	
	PROPOSED ROAD REHABILITATION
	PROPOSED ASPHALT M.U.P.
	PROPOSED CONCRETE SIDEWALK
	PROPOSED PAVER DRIVEWAY
	PROPOSED ASPHALT DRIVEWAY
	PROPOSED CONCRETE DRIVEWAY
	PROPOSED BOULEVARD
	PROPOSED ASPHALT BUFFER STRIP
	PROPOSED STREET LIGHT/MULTI-USE-PATHWAY LIGHT
	PROPOSED LIGHT ON EXISTING TRAFFIC SIGNAL
	PROPOSED RAILWAY SIGN AND FLASHERS
	PROPOSED BOULEVARD TREE
	PROPOSED CATCHBASIN
	PROPOSED LAWNBASIN
	PROPOSED WATER HYDRANT
	EXISTING HYDRO POLE AND GUY WIRE
	TREE TO BE REMOVED

SCALE: 1:500 PAGE 04 OF 05

PROPOSED 96 AVENUE ROAD IMPROVEMENTS (FROM 114 STREET TO 120 STREET)



NOTE:
LOCATION OF PROPOSED WORKS ARE
PRELIMINARY ONLY. FINAL LOCATIONS
MAY VARY TO SUIT SITE CONDITIONS.



TYPICAL CROSS-SECTION 96 AVENUE
LEFT TURN BAY WITH MEDIAN FROM LOT #11912 TO 120 STREET
6.1.2

LEGEND	
	PROPOSED ROAD REHABILITATION
	PROPOSED ASPHALT M.U.P.
	PROPOSED CONCRETE SIDEWALK
	PROPOSED PAVER DRIVEWAY
	PROPOSED ASPHALT DRIVEWAY
	PROPOSED CONCRETE DRIVEWAY
	PROPOSED BOULEVARD
	PROPOSED ASPHALT BUFFER STRIP
	PROPOSED STREET LIGHT/MULTI-USE-PATHWAY LIGHT
	PROPOSED LIGHT ON EXISTING TRAFFIC SIGNAL
	PROPOSED RAILWAY SIGN AND FLASHERS
	PROPOSED BOULEVARD TREE
	PROPOSED CATCHBASIN
	PROPOSED LAWNBASIN
	PROPOSED WATER HYDRANT
	EXISTING HYDRO POLE AND GUY WIRE
	TREE TO BE REMOVED

SCALE: 1:500 PAGE 05 OF 05