

LEGEND	
	24m
	27m
	30m
	32m
	34m
	37m
	42m
	48m

3	
2	
1	JULY 2017
	Revision Date
	Approved

All Dimensions Shown In Metres,
Unless Otherwise Noted

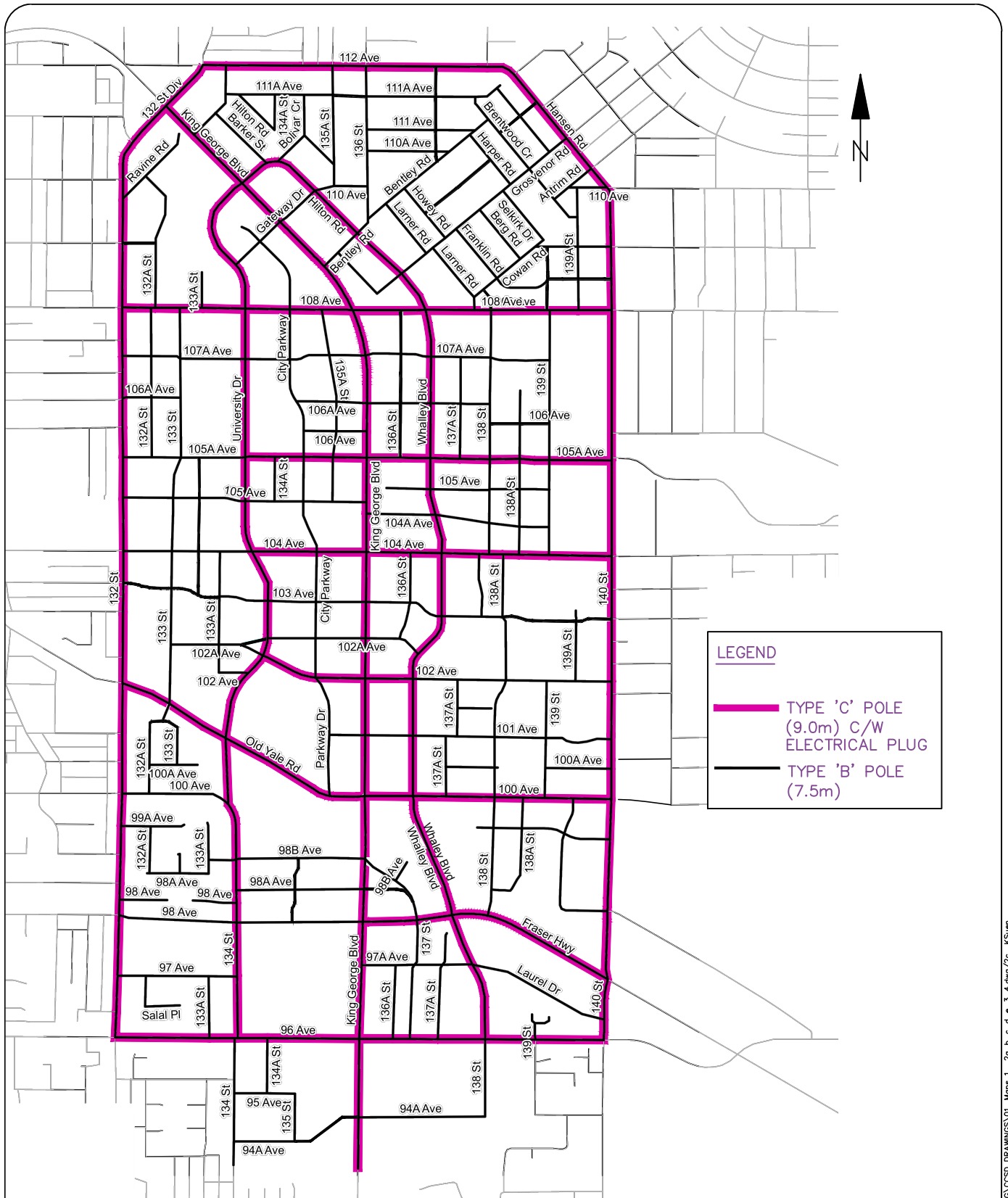
Title **ROAD R.O.W. WIDTH MAP**

CITY CENTRE
STANDARD
DRAWINGS

Approved	
Date	JULY 2017
Drawn By	Surrey Engineering


DRAWING NUMBER
CCSD-2b

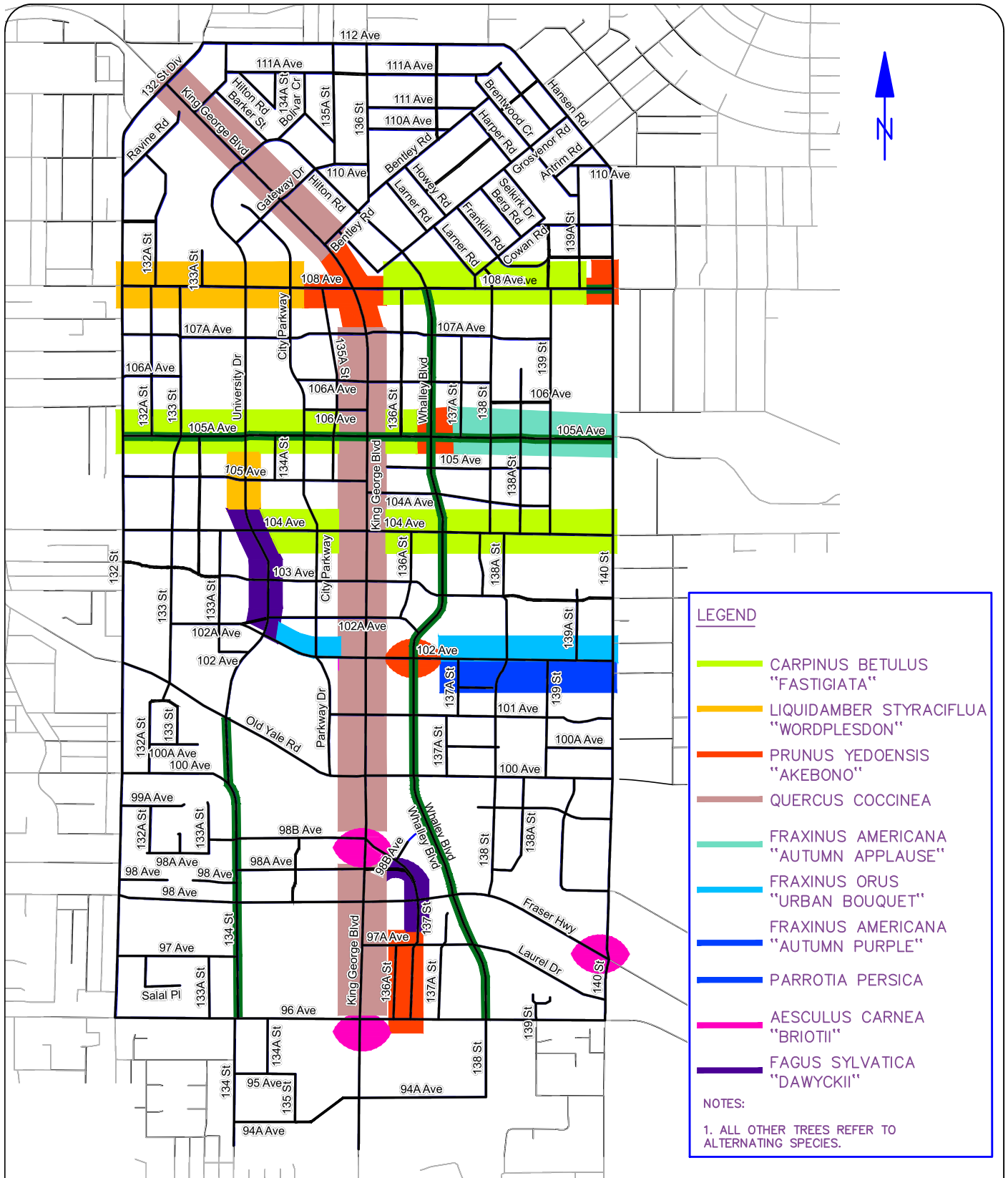
Jul 19 - 2017 - 2:00pm - M:\2012\12-177\DWG\CCSD DRAWINGS\01 - Maps - 1 - 2c_b_c.dwg_3_4.dwg/2b - K.Saur



LEGEND

- █ TYPE 'C' POLE (9.0m) C/W ELECTRICAL PLUG
- █ TYPE 'B' POLE (7.5m)


3		All Dimensions Shown In Metres, Unless Otherwise Noted	
2			
1	JULY 2017	Title STREETLIGHT TYPE MAP	
	Revision Date	Approved	
		CITY CENTRE STANDARD DRAWINGS	
		Approved	DRAWING NUMBER
		Date	JULY 2017
		Drawn By	Surrey Engineering
			CCSD-2c

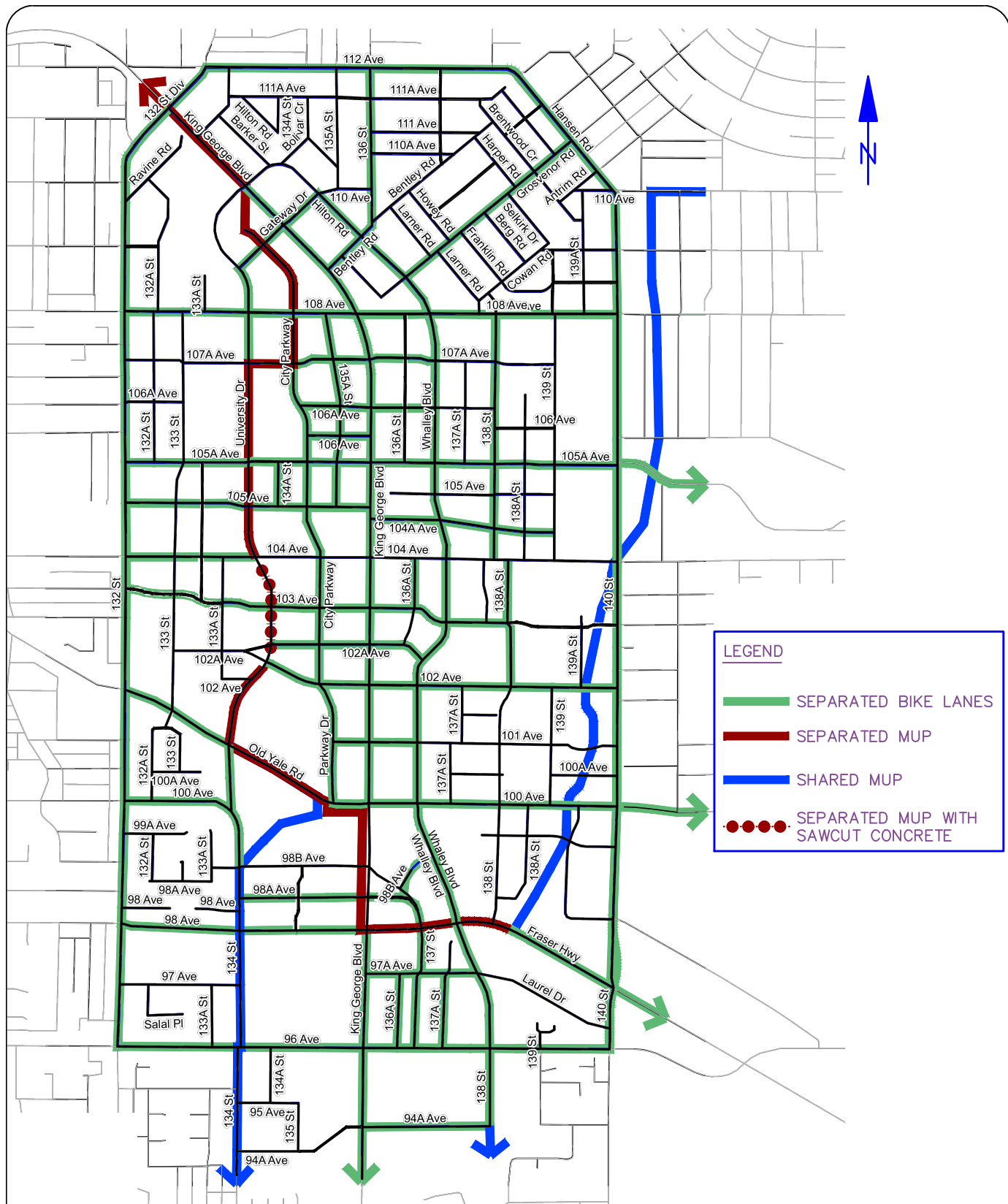


LEGEND

- CARPINUS BETULUS "FASTIGIATA"
- LIQUIDAMBER STYRACIFLUA "WORDPLESTON"
- PRUNUS YEDOENSIS "AKEBONO"
- QUERCUS COCCINEA
- FRAXINUS AMERICANA "AUTUMN APPLAUSE"
- FRAXINUS ORUS "URBAN BOUQUET"
- FRAXINUS AMERICANA "AUTUMN PURPLE"
- PARROTIA PERSICA
- AESCULUS CARNEA "BRIOTII"
- FAGUS SYLVATICA "DAWYCKII"


NOTES:
 1. ALL OTHER TREES REFER TO ALTERNATING SPECIES.

3		All Dimensions Shown In Metres, Unless Otherwise Noted
2		
1	JULY 2017	Title
	Revision Date	STREET – TREE TYPE MAP
	Approved	
		DRAWING NUMBER
CITY CENTRE STANDARD DRAWINGS		CCSD-3
Approved		Date
Date		JULY 2017
Drawn By		Surrey Engineering

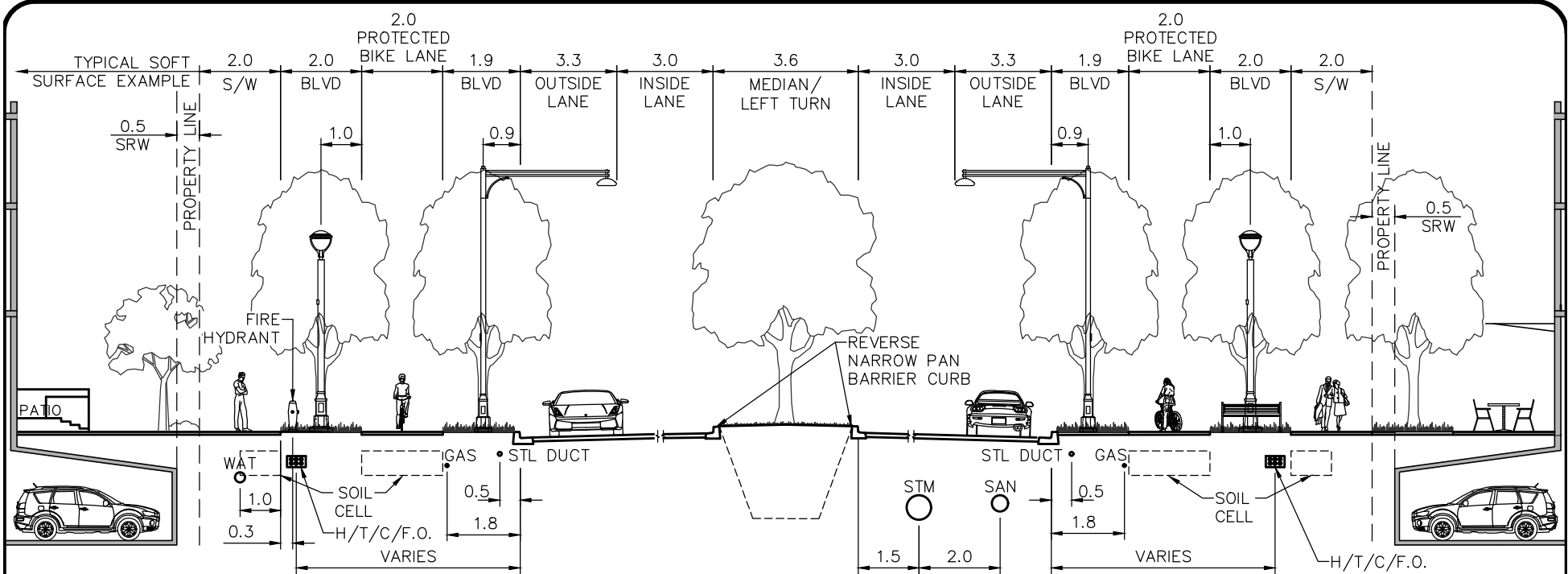


LEGEND

- SEPARATED BIKE LANES
- SEPARATED MUP
- SHARED MUP
- SEPARATED MUP WITH SAWCUT CONCRETE

3		All Dimensions Shown In Metres, Unless Otherwise Noted		
2	JULY 2017	Title SEPERATED CYCLING PATHS		
1	Revision Date			
	Approved	Approved	DRAWING NUMBER	
 CITY OF SURREY the future lives here.		Date	JULY 2017	
		CITY CENTRE STANDARD DRAWINGS	DRAWN BY	Surrey Engineering
		<div style="font-size: 2em; font-weight: bold;">CCSD-4</div>		

Jul 19 2017 - 2:00pm M:\2012\12-177\DWG\CCSD DRAWINGS\01_Maps_1_2a_b_c_d_e_3_4.dwg/4 KSun



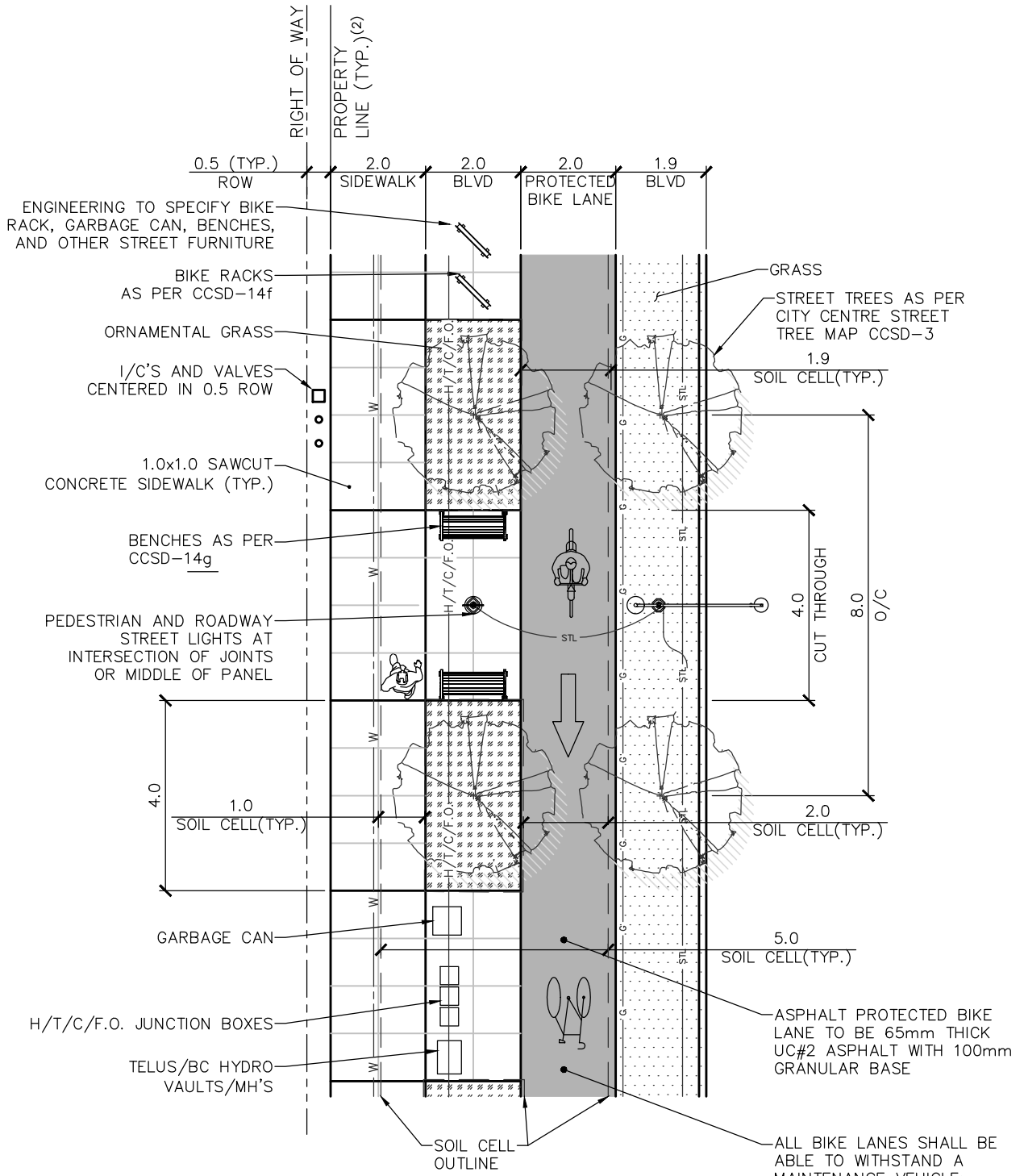
NOTE: UNDERGROUND PARKING TO BE CROPPED BELOW ADJACENT STREET GARDEN

BOULEVARD SECTION N.T.S

NOTES:

- (1) LANDSCAPED MEDIAN AS PER SSD-R16, LEFT TURN BAY AS PER SSD-R15.
- (2) REFER TO SPECIFIC TREATMENT OPTION FOR CIVIC CENTRE, COMMERCIAL, AND RESIDENTIAL FRONTAGE.
- (3) DISTRICT ENERGY UTILITY LOCATION TO BE CONFIRMED BY ENGINEERING.


3		All Dimensions Shown In Metres, Unless Otherwise Noted
2		
1	JULY 2017	Title TYPICAL ARTERIAL ROAD CROSS SECTION 32m ROW
	Revision Date Approved	Approved
SURREY the future lives here.		CITY CENTRE STANDARD DRAWINGS
		Date JULY 2017
		DRAWING NUMBER
		Drawn By Surrey Engineering CCSD-5a

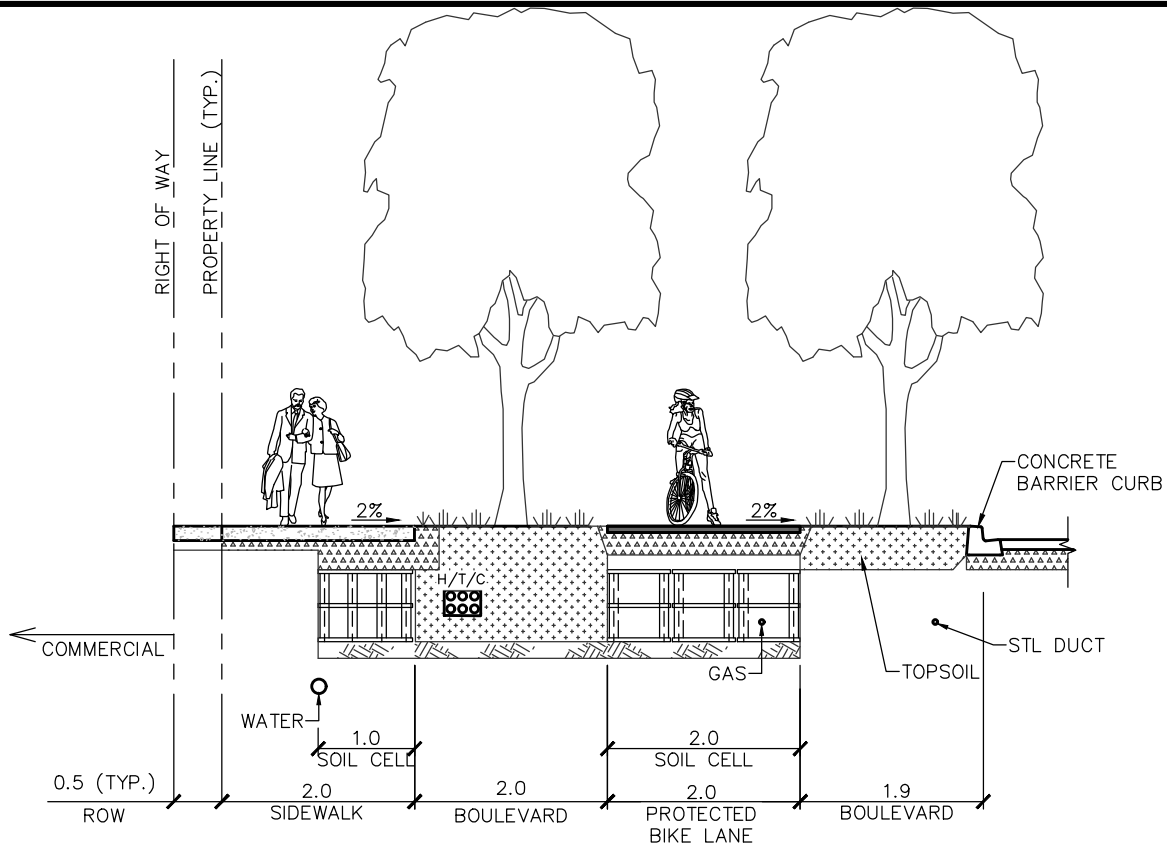


NOTES:

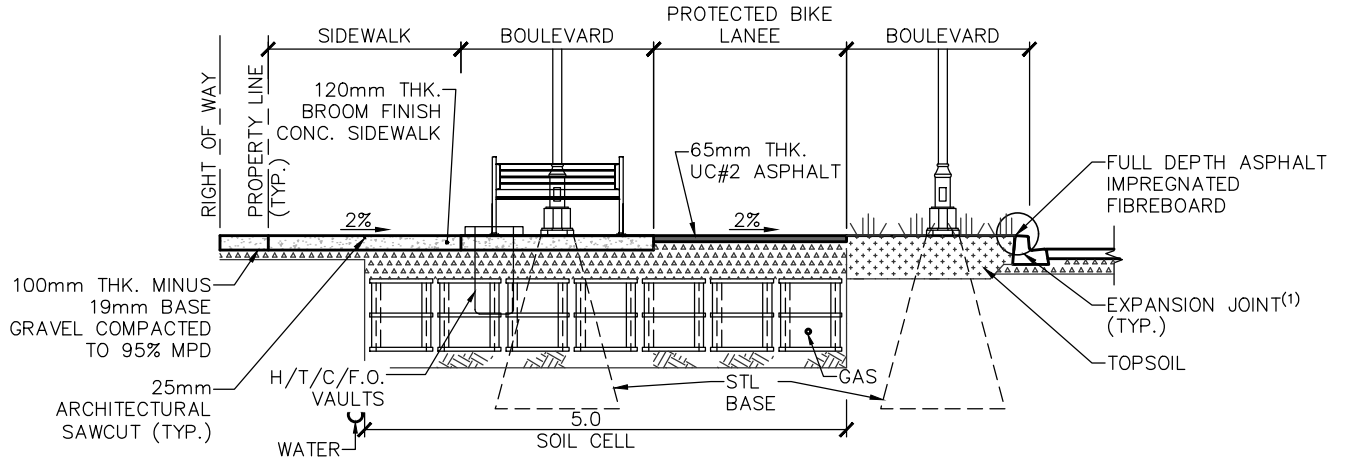
- (1) 0.5m SRW FOR I/C & MAINS.
- (2) IF BUILDING NOT ADJACENT TO SIDEWALK, ADD ON ADDITIONAL 0.5m TO ROW

ALL BIKE LANES SHALL BE ABLE TO WITHSTAND A MAINTENANCE VEHICLE: MINI SWEEPER, MINI SNOWPLOW, PICK-UP TRUCK (PARKS OPERATIONS)

3		All Dimensions Shown In Metres, Unless Otherwise Noted	
2		Title	PROTECTED BIKE LANE PLAN VIEW 32m ROW
1	JULY 2017	Approved	DRAWING NUMBER
	Revision Date	Approved	CCSD-5b
 CITY OF SURREY the future lives here.		CITY CENTRE STANDARD DRAWINGS	
		Approved	Date
		Date	JULY 2017
		Drawn By	Surrey Engineering




SECTION THROUGH TREE PLANTING



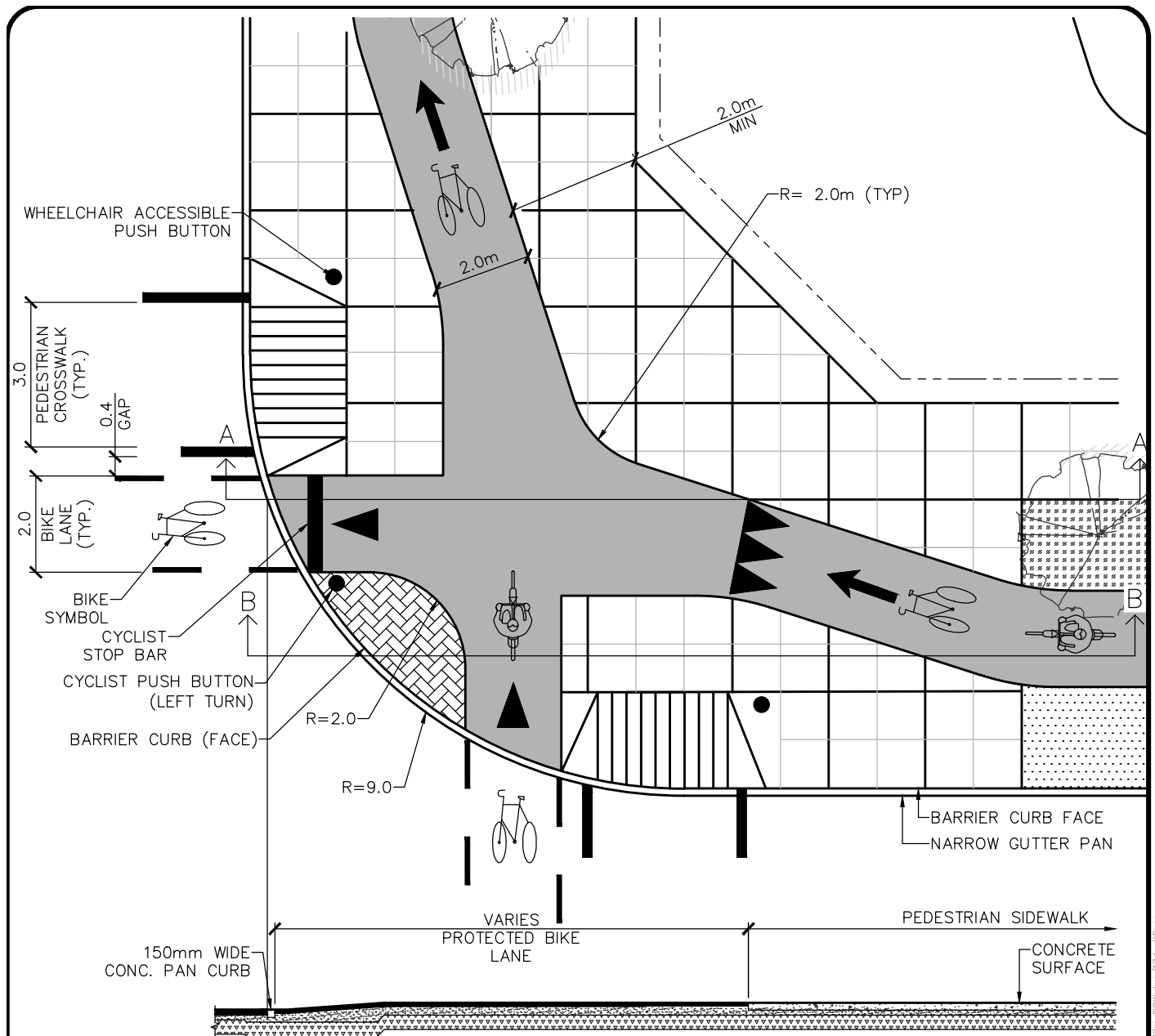
SECTION THROUGH CUT THROUGH

NOTES:

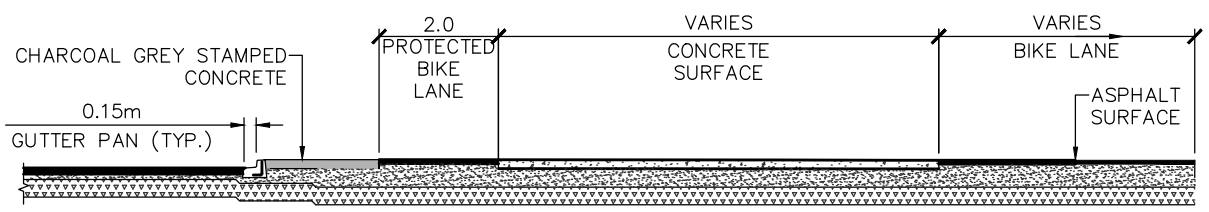
- (1) EXPANSION JOINTS SHALL USE FULL DEPTH ASPHALT IMPREGNATED FIBREBOARD @ MAXIMUM 9m LONGITUDINAL SPACING. EXPANSION JOINTS SHALL BE PROVIDED AGAINST ALL VERTICAL EDGES AND CHANGE IN MATERIALS. 50mm SMOOTH TROWEL ON BOTH SIDES OF EXPANSION JOINT.
- (2) CONTROL JOINTS SHALL HAVE A MAXIMUM 3m SPACING. CONTROL JOINTS SHALL BE SAWCUT ONLY.
- (3) CONTROL JOINT AND EXPANSION JOINT LAYOUTS TO BE CHALK MARKED AND APPROVED BY LANDSCAPE ARCHITECT PRIOR TO COMPLETION.
- (4) CONCRETE EDGE ALONG PROPERTY LINE TO HAVE 150mm TROWEL FINISH. ALL SCORELINES TO STOP PRIOR TO TROWELED EDGE.
- (5) INSTALL SOIL CELL AS PER MANUFACTURERS RECOMMENDATIONS.

3		All Dimensions Shown In Metres, Unless Otherwise Noted
2		
1	JULY 2017	Title PROTECTED BIKE LANE CROSS SECTION 32m ROW
	Revision Date	Approved
		Approved Date JULY 2017 Drawn By Surrey Engineering
		DRAWING NUMBER CCSD-5c

Jul 19 2017 - 2:02pm M:\2012\12-177\DWG\CCSD DRAWINGS\17c Separated Cycle Track Cross Section - 32m ROW.dwg/17c KSuen



SECTION A



SECTION B

3	
2	
1	JULY 2017
	Revision Date
	Approved

All Dimensions Shown In Metres,
Unless Otherwise Noted

Title **PROTECTED BIKE LANE INTERSECTION
PLAN VIEW - 32m ROW**



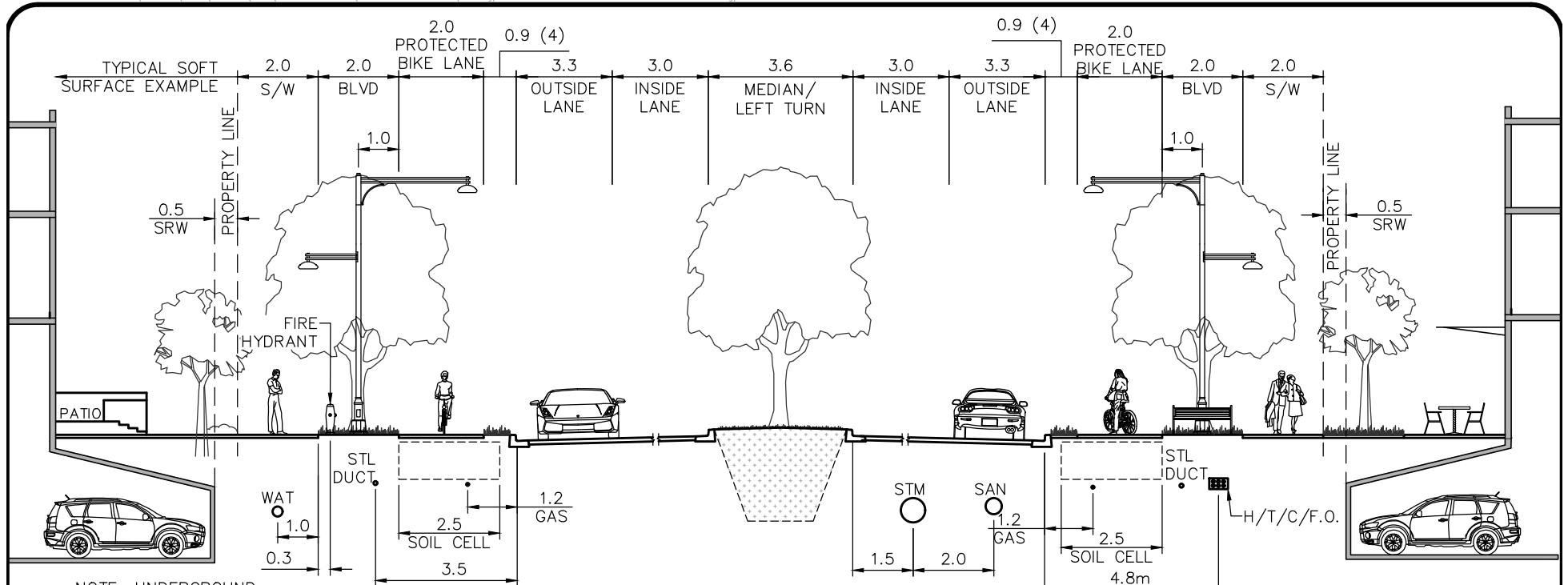
Approved

Date JULY 2017

Drawn By Surrey Engineering

DRAWING NUMBER
CCSD-5d

July 19, 2017 - 2:03pm - M:\2017\12-177\DWG\CCSD DRAWINGS\7d - Separated Cycle Track Intersection - 32m ROW.dwg/7d - K.Suen

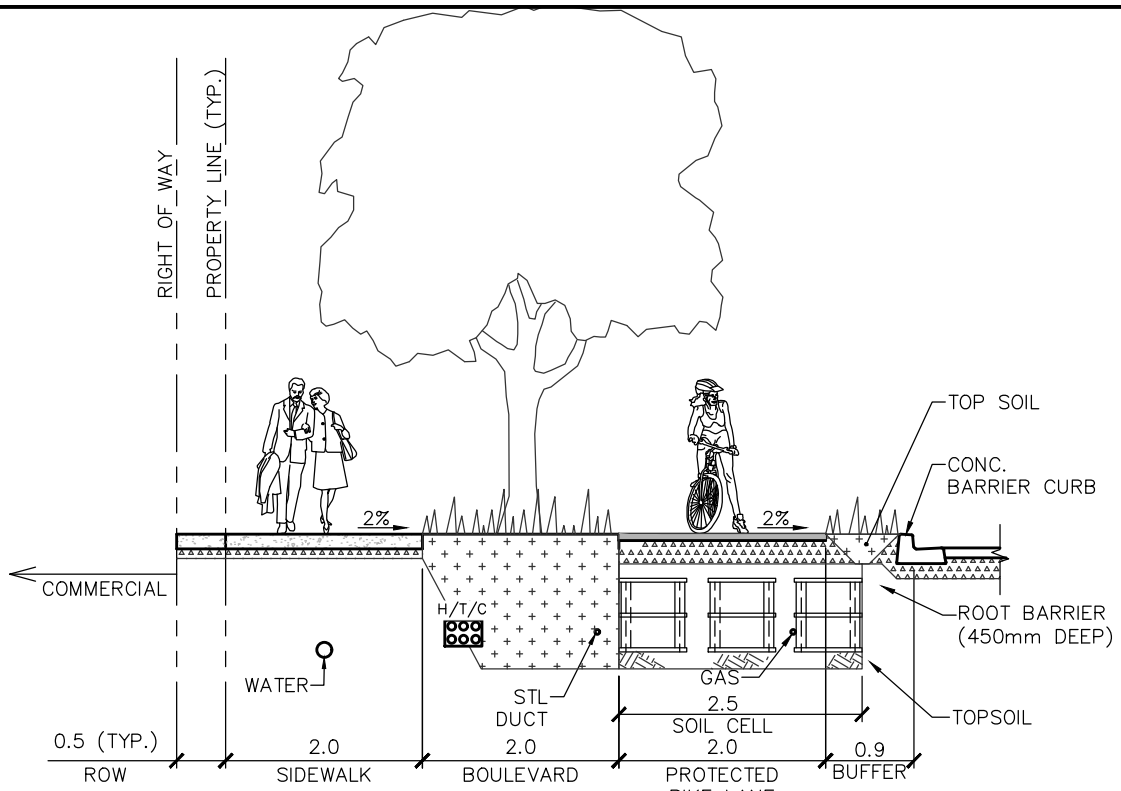


NOTE: UNDERGROUND PARKING TO BE CROPPED BELOW ADJACENT STREET GARDEN

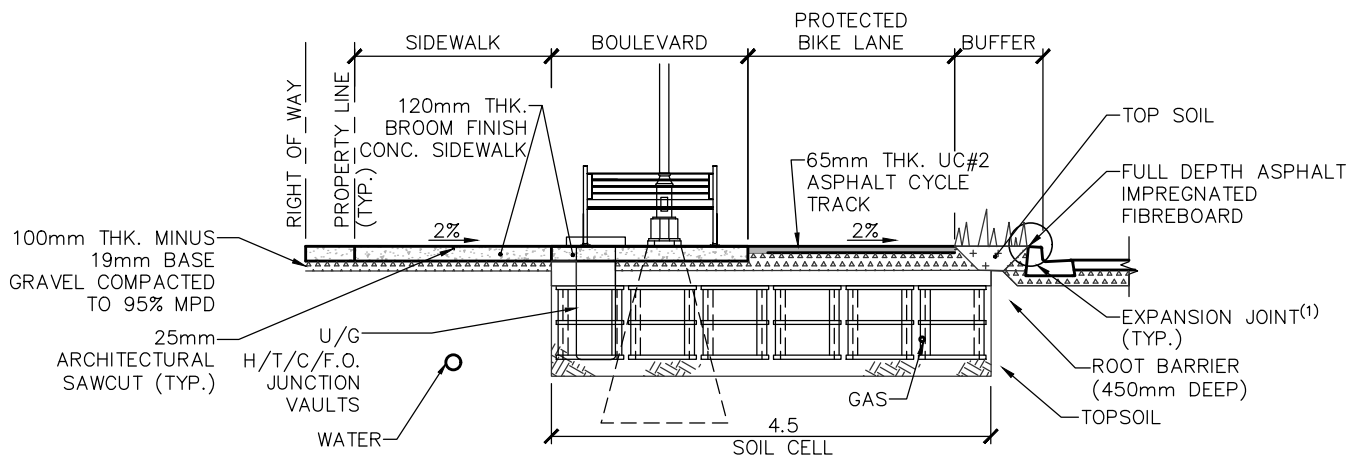
BOULEVARD SECTION N.T.S

- NOTES:
- (1) LANDSCAPED MEDIAN AS PER SSD-R16, LEFT TURN BAY AS PER SSD-R15.
 - (2) REFER TO SPECIFIC TREATMENT OPTION FOR CIVIC CENTRE, COMMERCIAL, AND RESIDENTIAL FRONTAGE.
 - (3) DISTRICT ENERGY UTILITY LOCATION TO BE CONFIRMED BY ENGINEERING.
 - (4) BUFFER SEPARATION BETWEEN TRAVEL LANES AND CYCLE TRACK.

3		All Dimensions Shown In Metres, Unless Otherwise Noted
2		
1	JULY 2017	Title TYPICAL ARTERIAL ROAD CROSS SECTION (30m) ROW
	Revision Date Approved	Approved
SURREY the future lives here.		Date JULY 2017
		DRAWING NUMBER
		CCSD-6a
		Date JULY 2017
		DRAWING NUMBER
		CCSD-6a
		Date JULY 2017
		DRAWING NUMBER
		CCSD-6a
		Date JULY 2017
		DRAWING NUMBER
		CCSD-6a



SECTION THROUGH TREE PLANTING

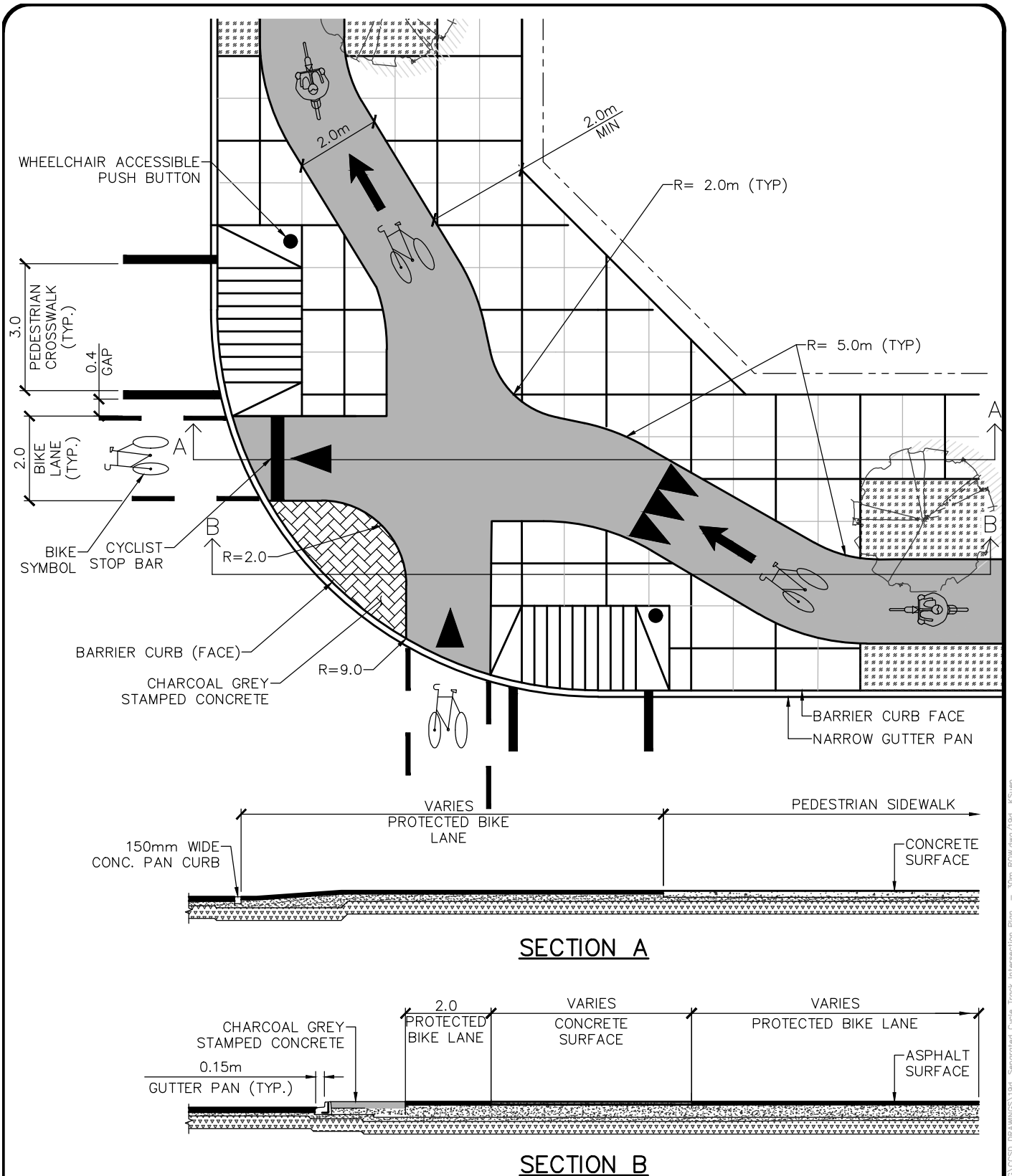


SECTION THROUGH CUT THROUGH

NOTES:

- (1) EXPANSION JOINTS SHALL USE FULL DEPTH ASPHALT IMPREGNATED FIBREBOARD @ MAXIMUM 9m LONGITUDINAL SPACING. EXPANSION JOINTS SHALL BE PROVIDED AGAINST ALL VERTICAL EDGES AND CHANGE IN MATERIALS. 50mm SMOOTH TROWEL ON BOTH SIDES OF EXPANSION JOINT.
- (2) CONTROL JOINTS SHALL HAVE A MAXIMUM 3m SPACING. CONTROL JOINTS SHALL BE SAWCUT ONLY.
- (3) CONTROL JOINT AND EXPANSION JOINT LAYOUTS TO BE CHALK MARKED AND APPROVED BY LANDSCAPE ARCHITECT PRIOR TO COMPLETION.
- (4) CONCRETE EDGE ALONG PROPERTY LINE TO HAVE 150mm TROWEL FINISH. ALL SCORELINES TO STOP PRIOR TO TROWELED EDGE.
- (5) INSTALL SOIL CELL AS PER MANUFACTURERS RECOMMENDATIONS.

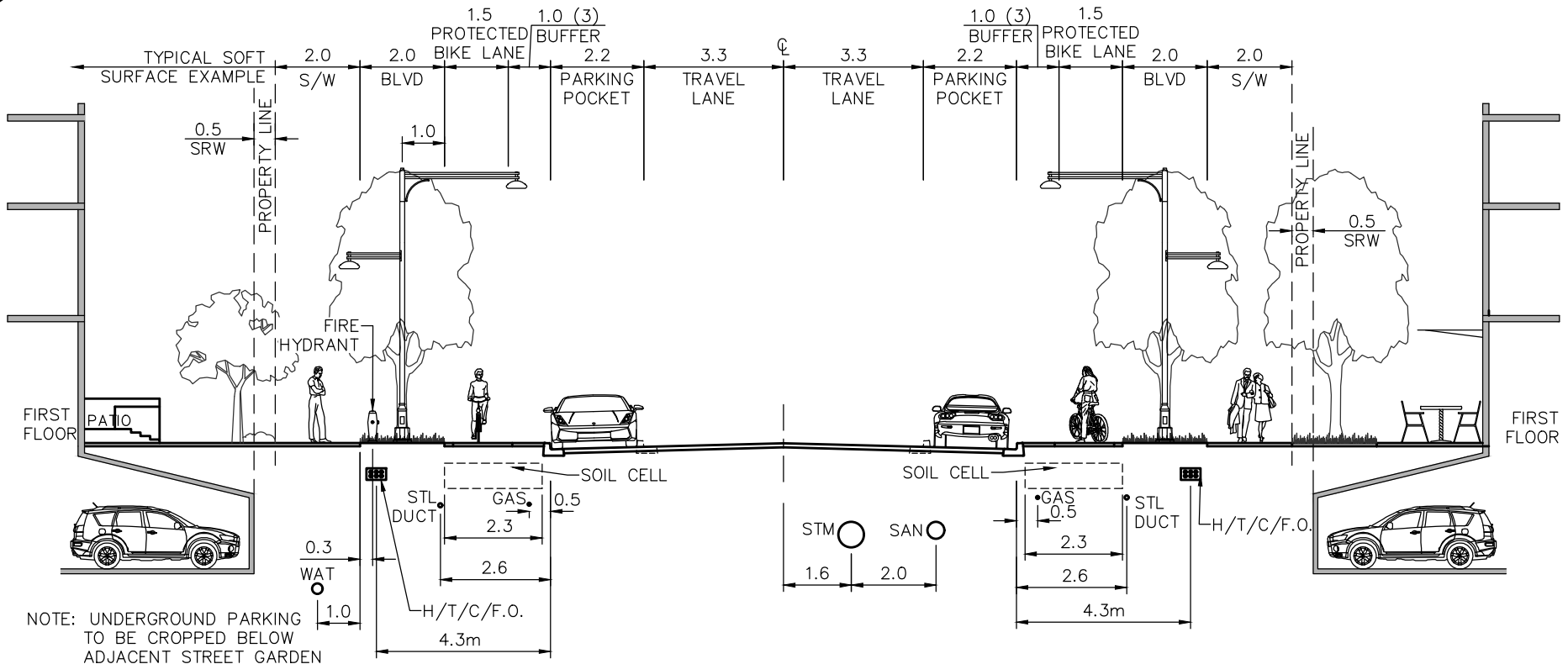
3		All Dimensions Shown In Metres, Unless Otherwise Noted	
2			
1	JULY 2017	Title PROTECTED BIKE LANE CROSS SECTION (30m) ROW	
	Revision Date	Approved	
CITY OF SURREY the future lives here.		Approved	
		Date	JULY 2017
		Drawn By	Surrey Engineering
		DRAWING NUMBER CCSD-6c	



SECTION A

SECTION B

3		<p>All Dimensions Shown In Metres, Unless Otherwise Noted</p> <p>TITLE</p> <p>PROTECTED BIKE LANE INTERSECTION PLAN (30m) ROW</p>	
2			
1	JULY 2017		
	Revision Date	Approved	<p>APPROVED</p> <p>Date JULY 2017</p> <p>Drawn By Surrey Engineering</p>
<p>CITY OF SURREY the future lives here.</p>		<p>CITY CENTRE STANDARD DRAWINGS</p>	<p>DRAWING NUMBER</p> <p>CCSD-6d</p>



BOULEVARD SECTION
N.T.S

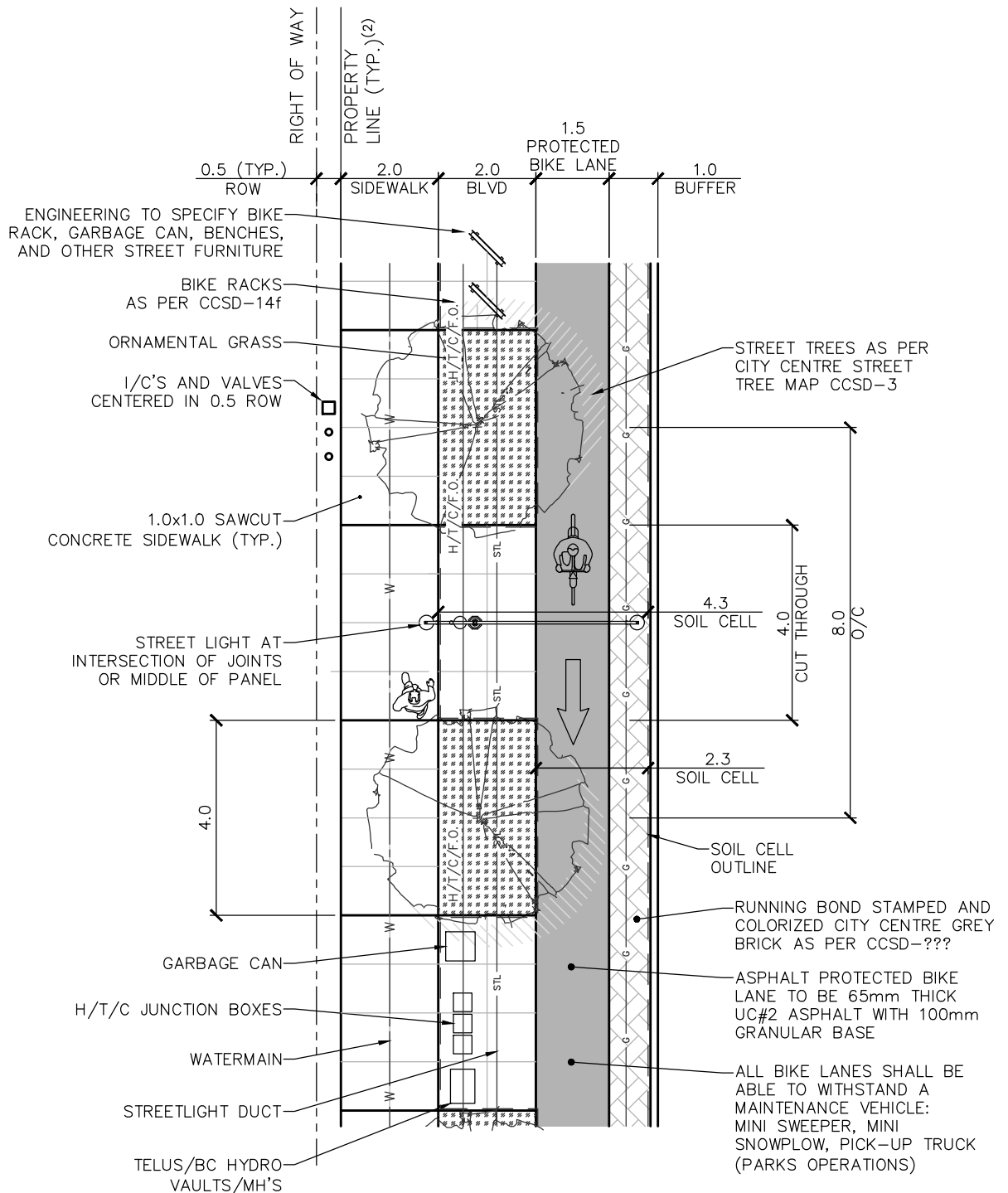
- NOTES:
- (1) LANDSCAPED MEDIAN AS PER SSD-R16, LEFT TURN BAY AS PER SSD-R15.
 - (2) REFER TO SPECIFIC TREATMENT OPTION FOR CIVIC CENTRE, COMMERCIAL, AND RESIDENTIAL FRONTAGE.
 - (3) BUFFER SEPARATION BETWEEN TRAVEL LANES AND CYCLE TRACK.
 - (4) DISTRICT ENERGY UTILITY LOCATION TO BE CONFIRMED BY ENGINEERING.

3	
2	
1	JULY 2017
Revision Date	Approved




CITY CENTRE
STANDARD
DRAWINGS

All Dimensions Shown In Metres, Unless Otherwise Noted	
Title TYPICAL COLLECTOR ROAD CROSS SECTION (24m) ROW	
Approved	
Date	JULY 2017
Drawn By	Surrey Engineering
DRAWING NUMBER CCSD-7a	

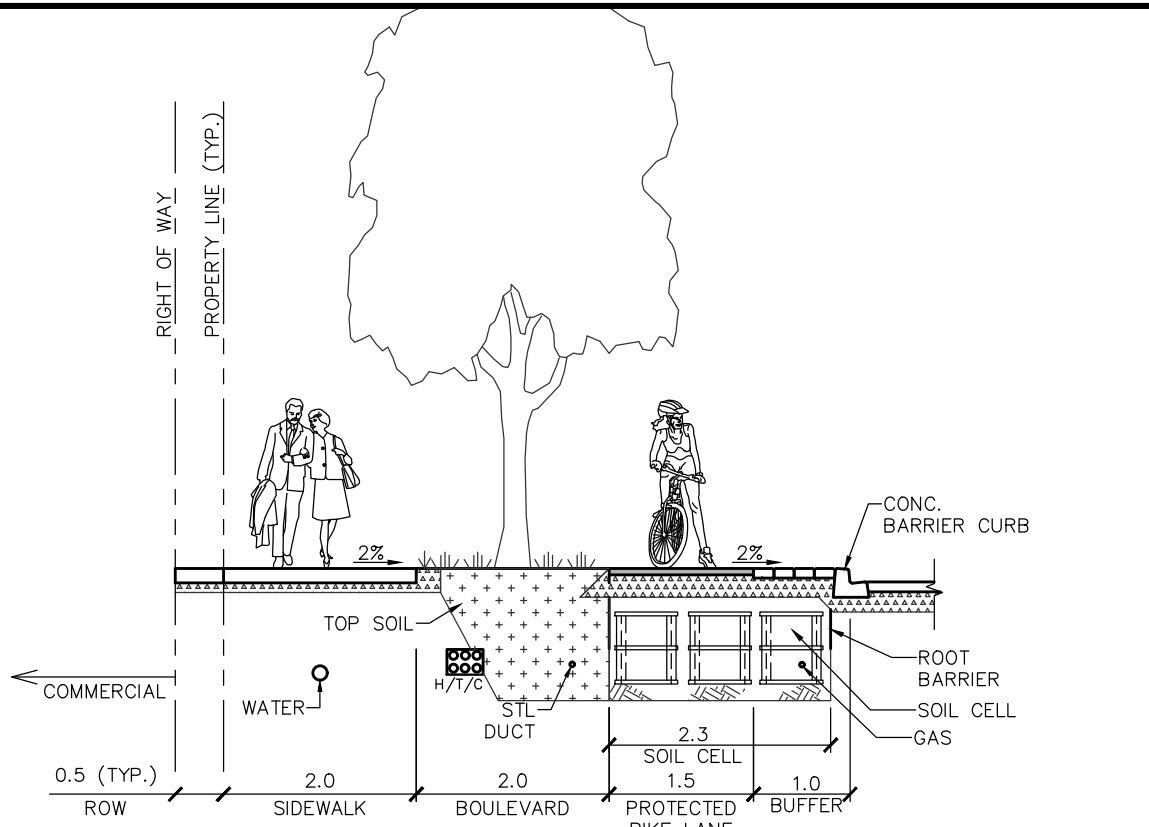


NOTES:

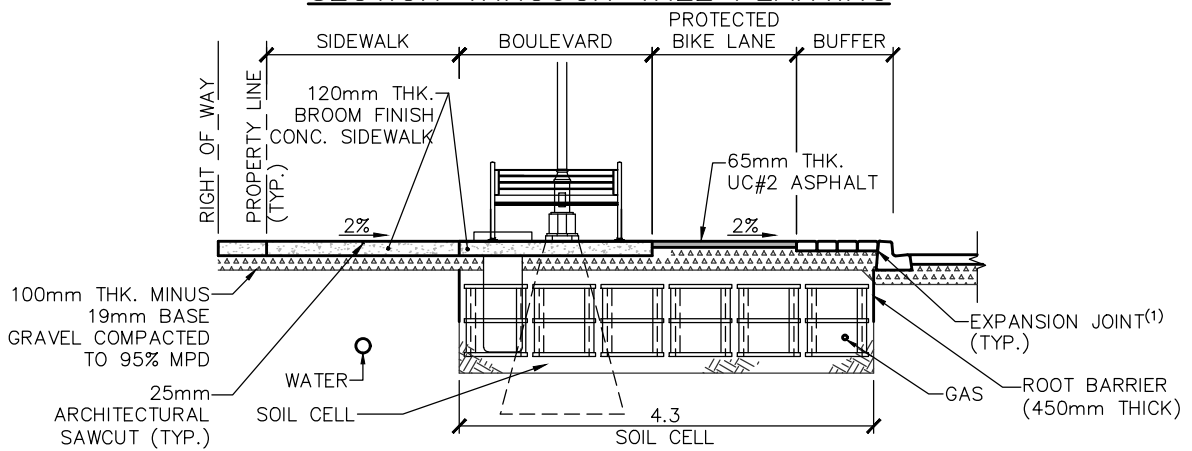
- (1) 0.5m SRW FOR 1/2" & MAINS.
- (2) IF BUILDING NOT ADJACENT TO SIDEWALK, ADD ON ADDITIONAL 0.5m TO ROW

3		All Dimensions Shown In Metres, Unless Otherwise Noted	
2			
1	JULY 2017	Title	PROTECTED BIKE LANE PLAN VIEW (24m) ROW
	Revision Date	Approved	
		Approved Date Drawn By	DRAWING NUMBER CCSD-7b
		Approved Date Drawn By	DRAWING NUMBER CCSD-7b

Jul 19 2017 - 2:08pm M:\2012\12-117\DWG\CCSD DRAWINGS\23b. Separated Cycle Track Plan View - 24m ROW.dwg/23b. K.Suen




SECTION THROUGH TREE PLANTING



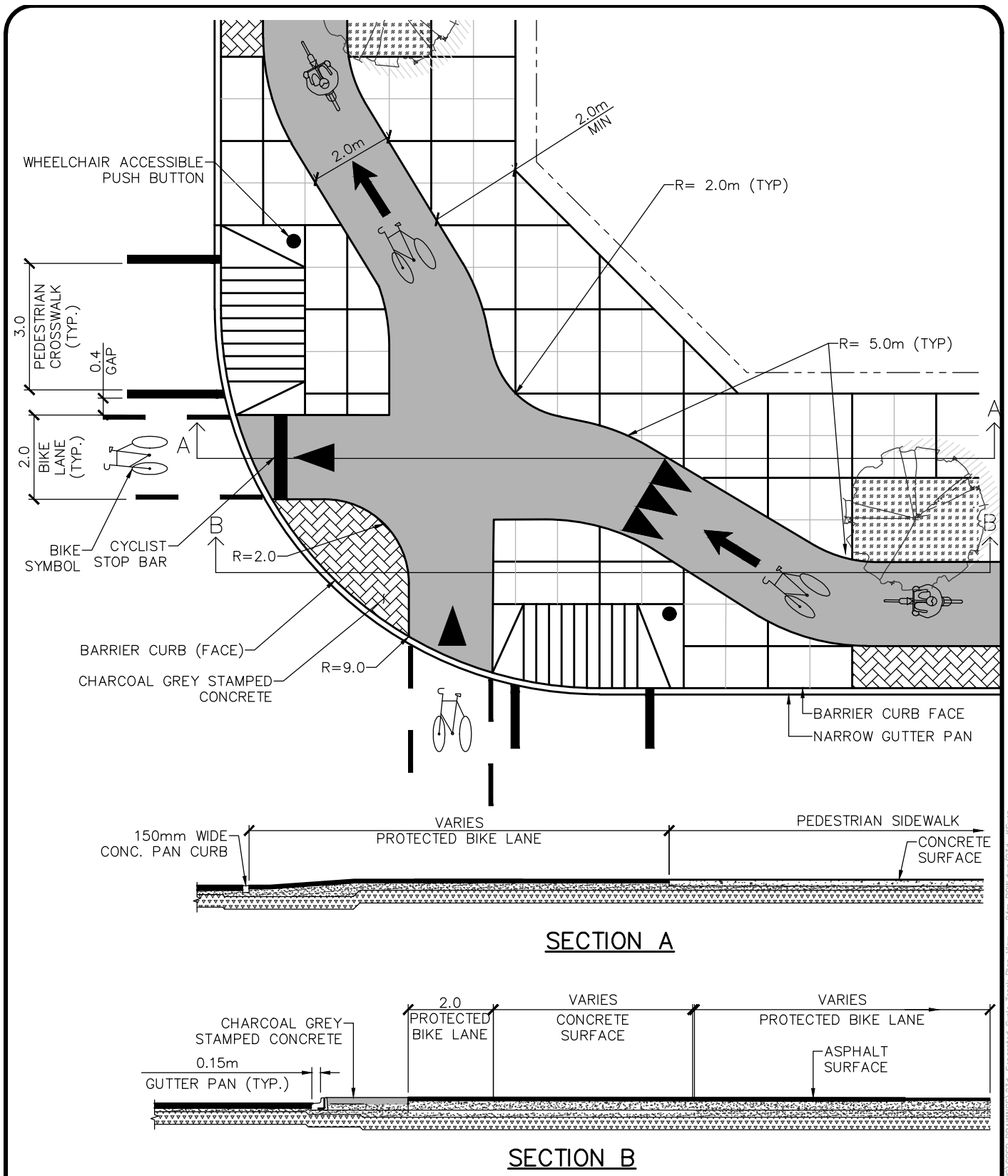
SECTION THROUGH CUT THROUGH

NOTES:

- (1) EXPANSION JOINTS SHALL USE FULL DEPTH ASPHALT IMPREGNATED FIBREBOARD @ MAXIMUM 9m LONGITUDINAL SPACING. EXPANSION JOINTS SHALL BE PROVIDED AGAINST ALL VERTICAL EDGES AND CHANGE IN MATERIALS. 50mm SMOOTH TROWEL ON BOTH SIDES OF EXPANSION JOINT.
- (2) CONTROL JOINTS SHALL HAVE A MAXIMUM 3m SPACING. CONTROL JOINTS SHALL BE SAWCUT ONLY.
- (3) CONTROL JOINT AND EXPANSION JOINT LAYOUTS TO BE CHALK MARKED AND APPROVED BY LANDSCAPE ARCHITECT PRIOR TO COMPLETION.
- (4) CONCRETE EDGE ALONG PROPERTY LINE TO HAVE 150mm TROWEL FINISH. ALL SCORELINES TO STOP PRIOR TO TROWELED EDGE.
- (5) INSTALL SOIL CELL AS PER MANUFACTURERS RECOMMENDATIONS.

3		All Dimensions Shown In Metres, Unless Otherwise Noted	
2			
1	JULY 2017	Title	PROTECTED BIKE LANE CROSS SECTION (24m) ROW
	Revision Date	Approved	
 CITY OF SURREY the future lives here.		CITY CENTRE STANDARD DRAWINGS	DRAWING NUMBER
		Approved	DRAWING NUMBER
		Date	JULY 2017
		Drawn By	Surrey Engineering

Jul 19 2017 - 2:09pm M:\2012\12-177\DWG\CCSD DRAWINGS\23c_Separated Cycle Track Cross Section - 24m ROW.dwg/23c_KSuen

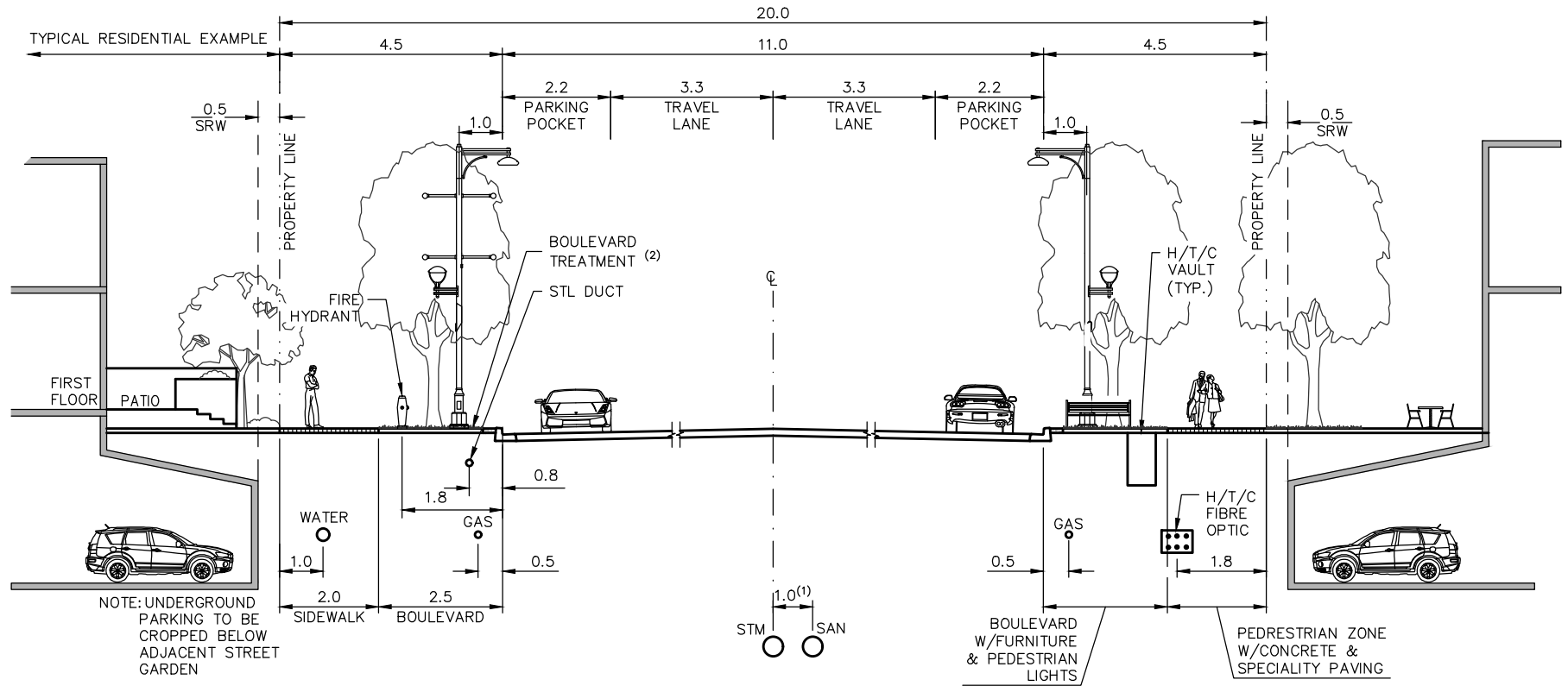


SECTION A

SECTION B

3		<p>All Dimensions Shown In Metres, Unless Otherwise Noted</p> <p>Title</p> <p>PROTECTED BIKE LANE INTERSECTION PLAN VIEW (24m) ROW</p>	
2			
1	JULY 2017		
	Revision Date	Approved	<p>Approved</p> <p>Date JULY 2017</p> <p>Drawn By Surrey Engineering</p>
		<p>CITY CENTRE STANDARD DRAWINGS</p>	<p>DRAWING NUMBER</p> <p>CCSD-7d</p>

Jul 19 2017 - 2:10pm M:\2012\12-177\DWG\CCSD DRAWINGS\2314 Separated Cycle Track Plan View - 24m ROW.dwg/23d KSuen



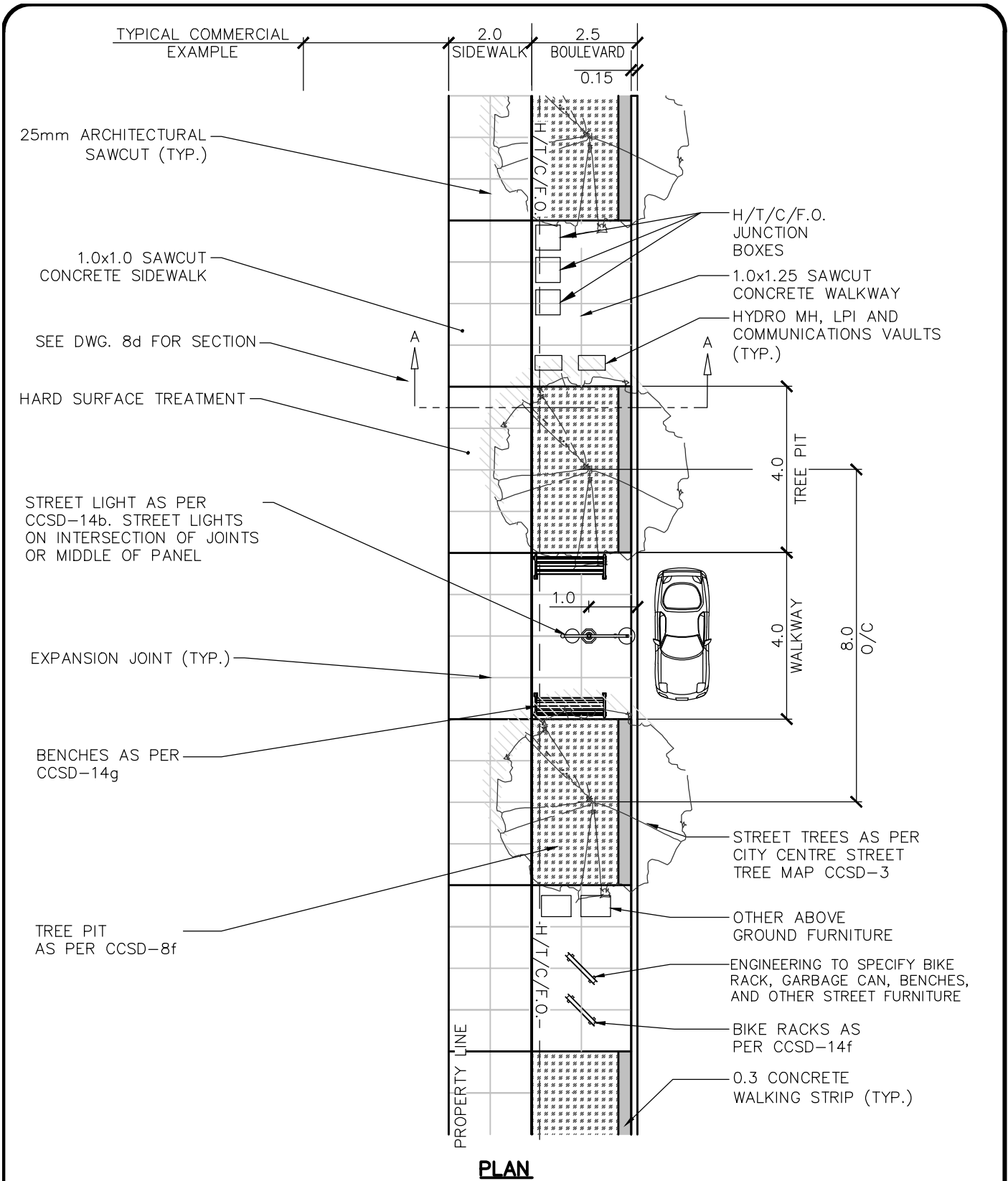
- NOTES:
- (1) REFER TO MINIMUM SPACING BETWEEN SEWERS IN THE COMMON TRENCH DRAWING SSD-G.3.
 - (2) REFER TO SPECIFIC TREATMENT OPTION FOR CIVIC CENTRE, COMMERCIAL, AND RESIDENTIAL FRONTAGE.

3	
2	
1	JULY 2017
	Revision Date Approved




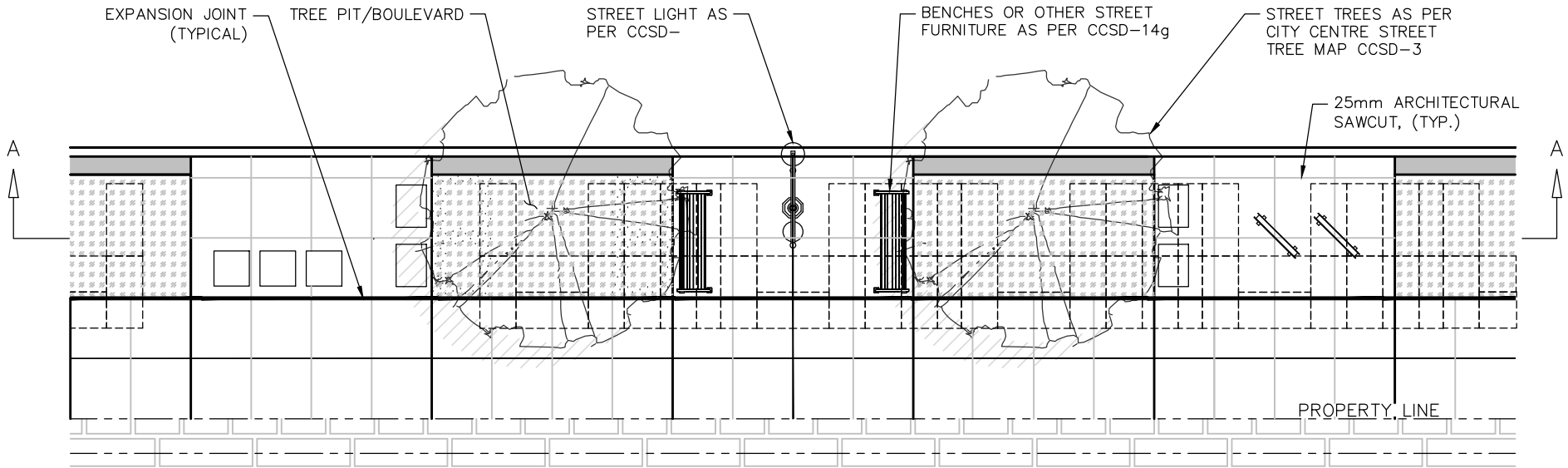
CITY CENTRE
STANDARD
DRAWINGS

All Dimensions Shown In Metres, Unless Otherwise Noted	
Title TYPICAL LOCAL ROAD CROSS SECTION	
Approved	DRAWING NUMBER
Date	JULY 2017
Drawn By	Surrey Engineering
CCSD-8a	

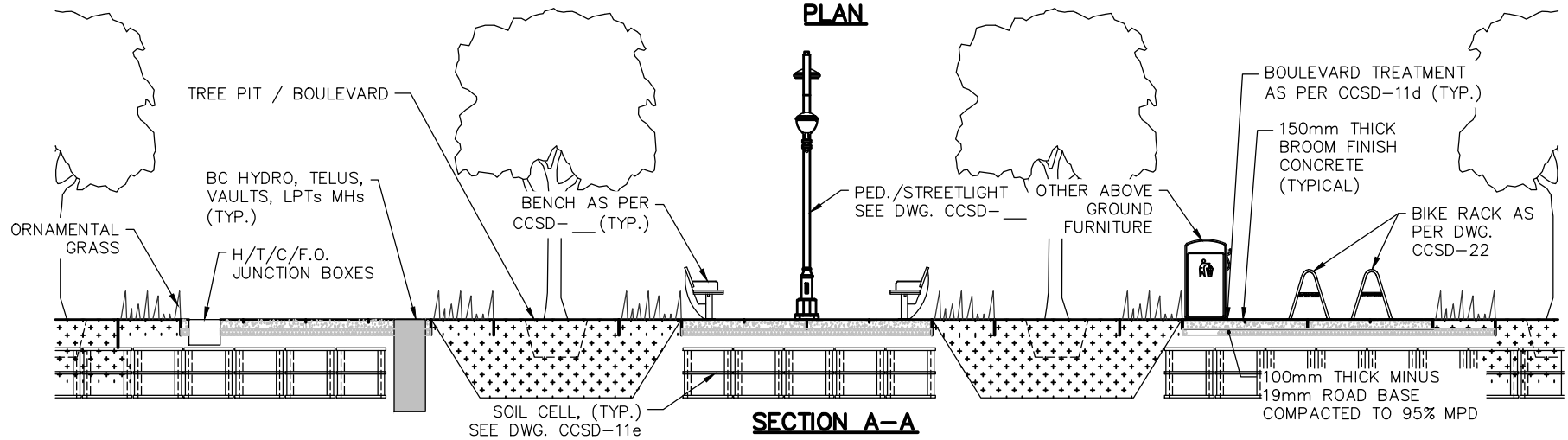


PLAN

3		All Dimensions Shown In Metres, Unless Otherwise Noted
2		
1	JULY 2017	Title LOCAL BOULEVARD FOR 20M ROW HARDSCAPE FRONTAGE
	Revision Date Approved	
 <p>CITY OF SURREY the future lives here.</p>		<p>CITY CENTRE STANDARD DRAWINGS</p>
Approved		DRAWING NUMBER
Date JULY 2017		CCSD-8b
Drawn By Surrey Engineering		



PLAN



3		
2		
1	JULY 2017	
	Revision Date	Approved

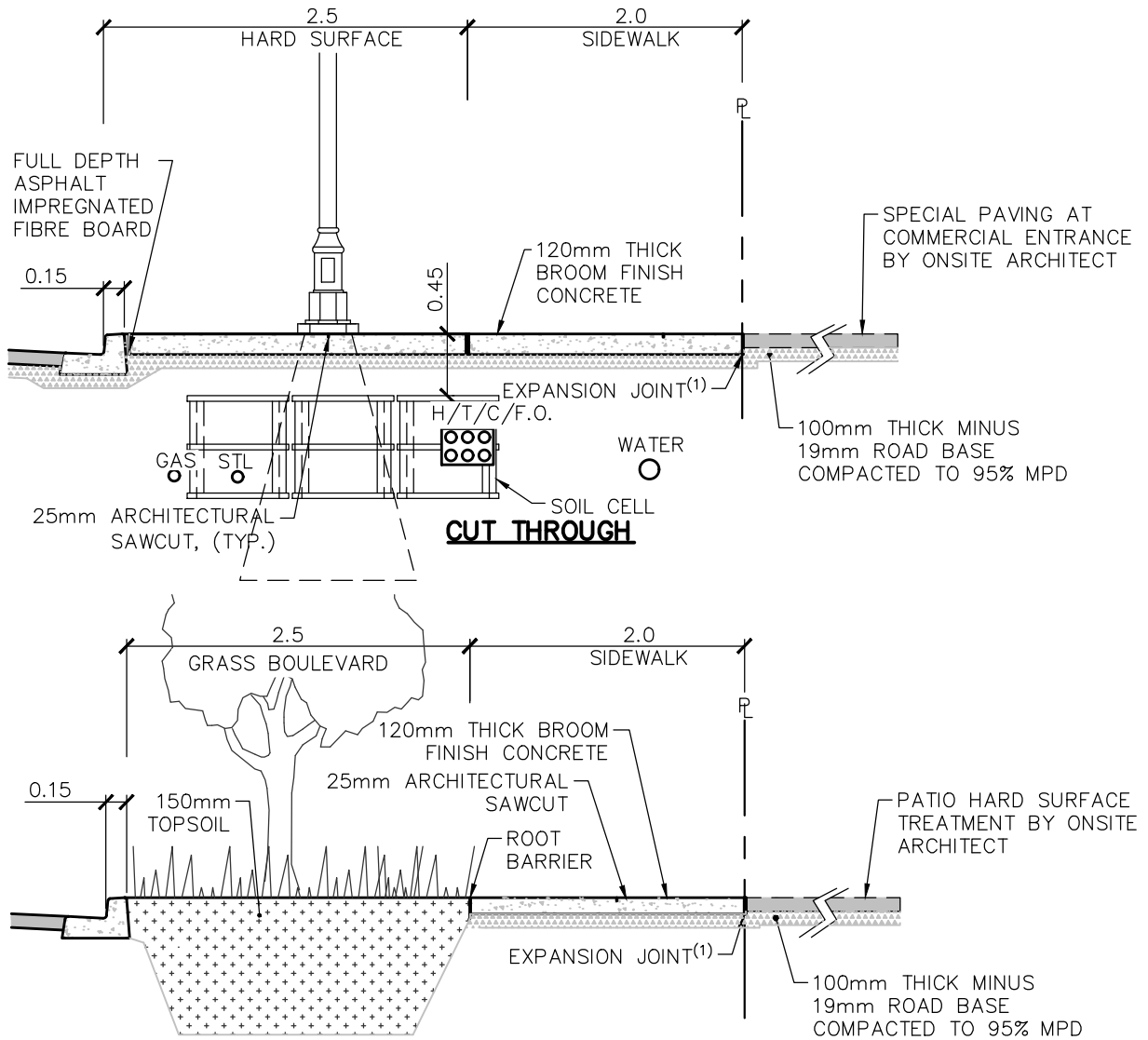
All Dimensions Shown In Metres, Unless Otherwise Noted

Title **LOCAL BOULEVARD FOR 20m ROW BLVD TREATMENT PLAN & SECTION**

Approved		DRAWING NUMBER
Date	JULY 2017	CCSD-8c
Drawn By	Surrey Engineering	



CITY CENTRE STANDARD DRAWINGS



CUT THROUGH

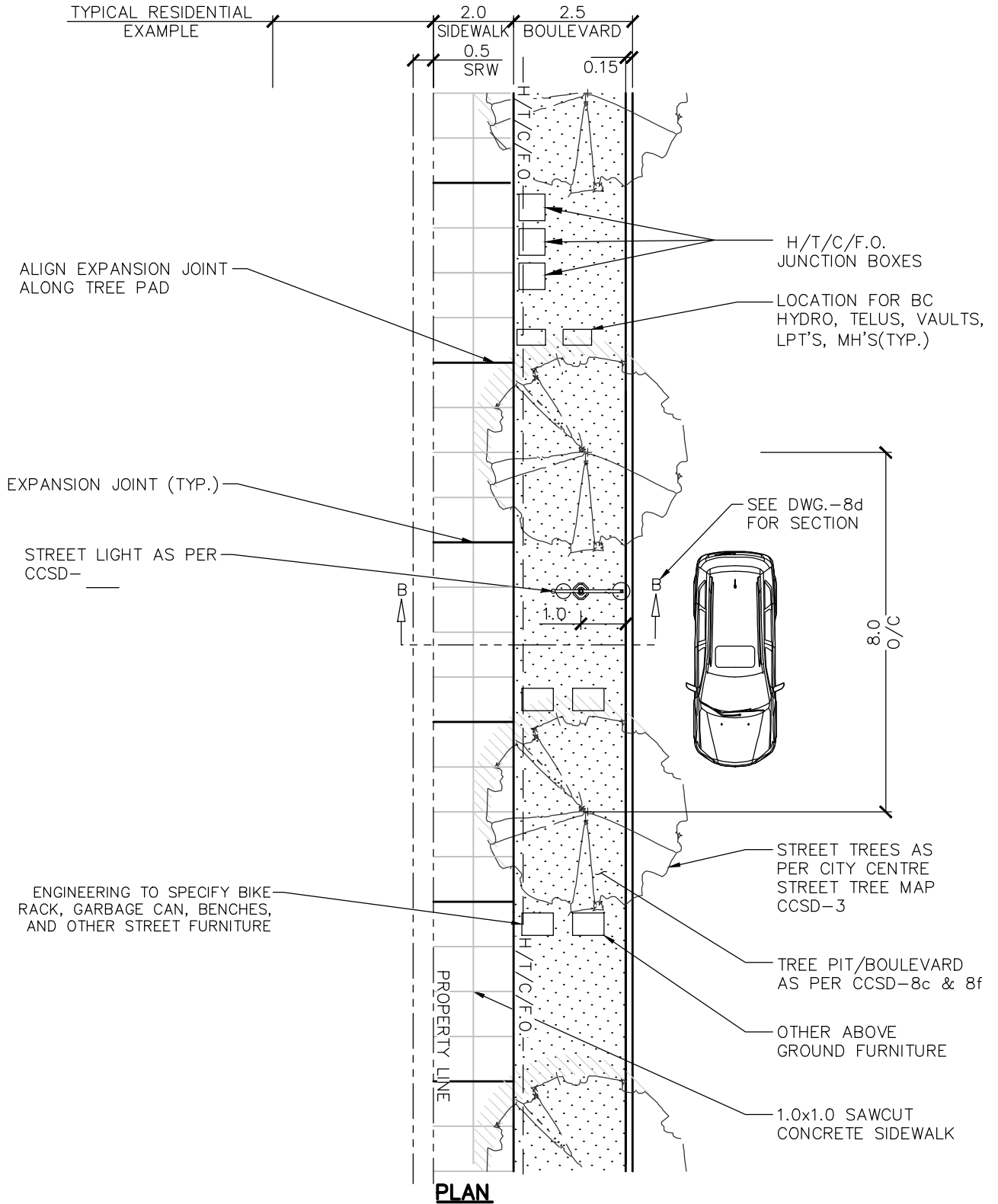
TREE PLANTING

- NOTES:
- (1) EXPANSION JOINTS SHALL USE FULL DEPTH ASPHALT IMPREGNATED FIBREBOARD @ MAXIMUM 9m LONGITUDINAL SPACING. EXPANSION JOINTS SHALL BE PROVIDED AGAINST ALL VERTICAL EDGES AND CHANGE IN MATERIALS. 50mm SMOOTH TROWEL ON BOTH SIDES OF EXPANSION JOINT.
 - (2) CONTROL JOINTS SHALL HAVE A MAXIMUM 3m SPACING. CONTROL JOINTS SHALL BE SAWCUT ONLY.
 - (3) CONTROL JOINT AND EXPANSION JOINT LAYOUTS TO BE CHALK MARKED AND APPROVED BY LANDSCAPE ARCHITECT PRIOR TO COMPLETION.
 - (4) INSTALL SOIL CELL AS PER MANUFACTURE RECOMMENDATION.

3		All Dimensions Shown In Metres, Unless Otherwise Noted	
2			
1	JULY 2017	Title LOCAL BOULEVARD FOR 20m ROW TYPICAL HARDSCAPE SECTION (4.5m) BLVD	
	Revision Date	Approved	
CITY OF SURREY the future lives here.		Approved	
		Date	JULY 2017
		Drawn By	Surrey Engineering
		DRAWING NUMBER CCSD-8d	

\\s10101\cadd\2017\2017-21\368m - 177\1016\CCSD DRAWINGS\177 - Local Blvd for 20m ROW - TYPICAL SECTION (4.5m) BLVD - R02.dwg

TYPICAL RESIDENTIAL
EXAMPLE



3	
2	
1	JULY 2017
	Revision Date
	Approved

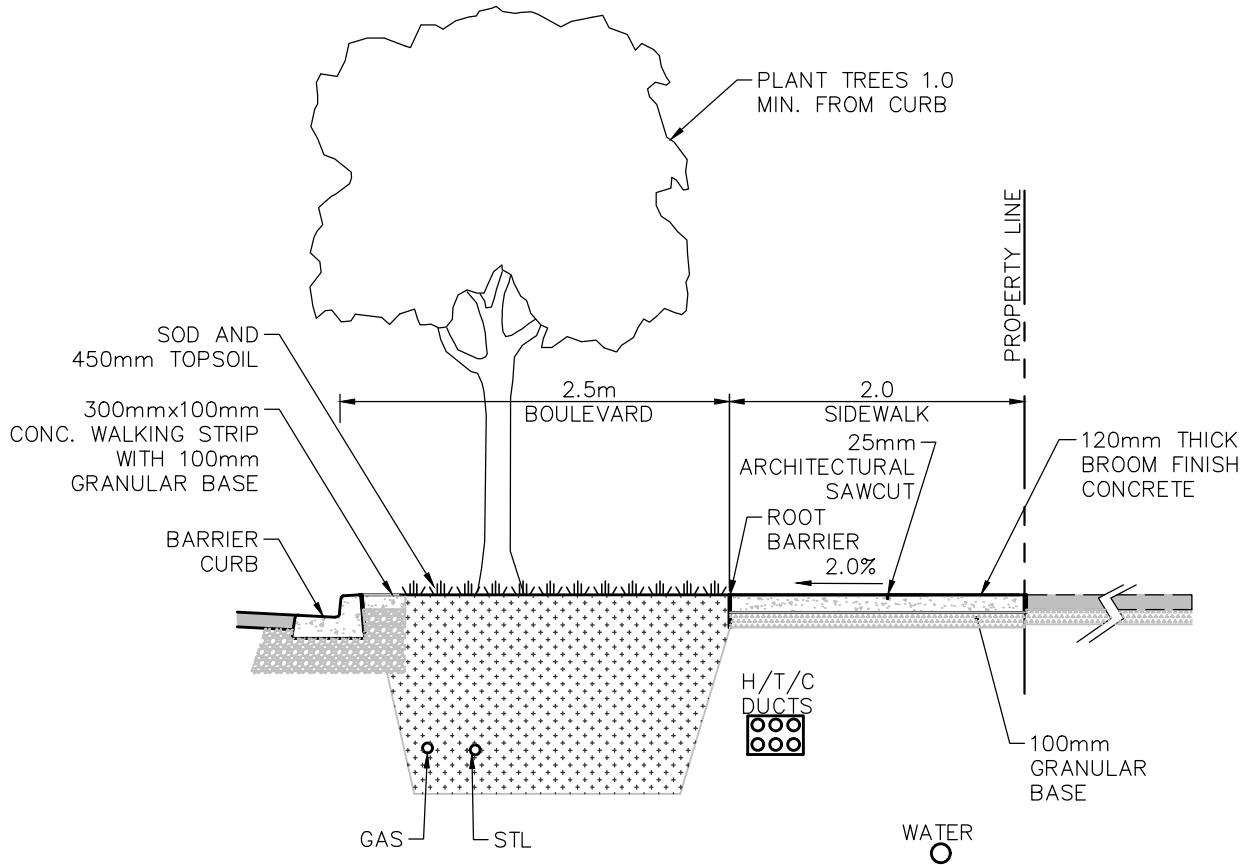
All Dimensions Shown In Metres,
Unless Otherwise Noted

Title **LOCAL BOULEVARD FOR 20m ROW
SOFTSCAPE FRONTAGE**




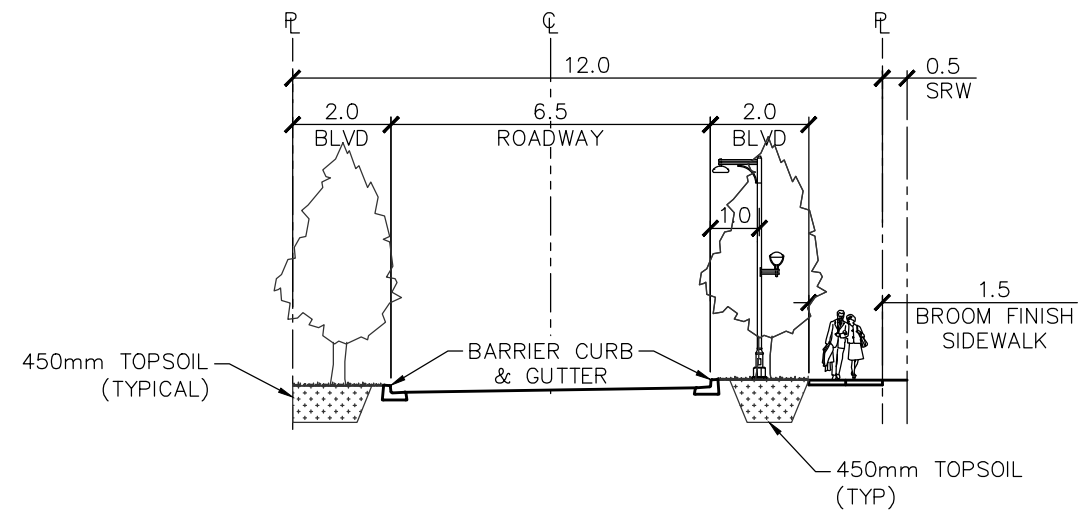
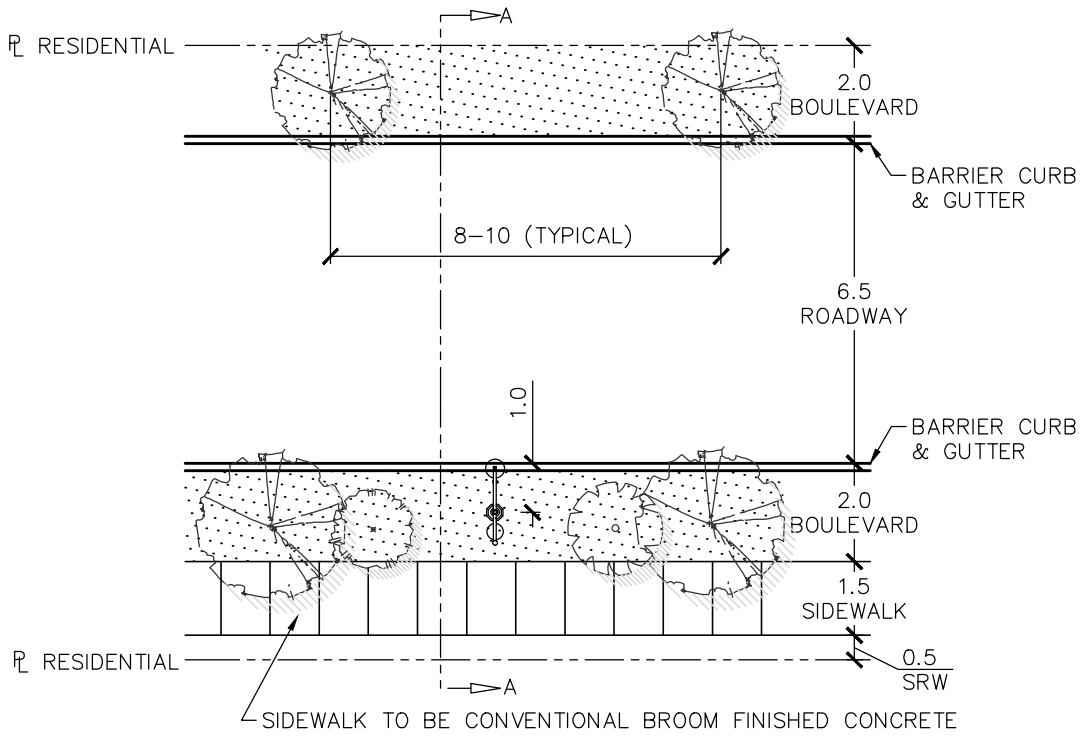
Approved
Date JULY 2017
Drawn By Surrey Engineering

DRAWING NUMBER
CCSD-8e




- NOTES:
- (1) PLANT MATERIAL TO BE SELECTED FROM LIST OF ACCEPTABLE PLANT MATERIAL CITY OF SURREY PARKS DIVISION STANDARD CONSTRUCTION DOCUMENTS.
 - (2) PROTECT PLANT MATERIAL FROM DAMAGE DURING TRANSPORTATION AND PLANTING.
 - (3) LOCATE AND FLAG ALL BURIED UTILITIES IN PLANTING BEDS PRIOR TO DIGGING ENSURE THAT UTILITIES ARE PROTECTED DURING CONSTRUCTION.
 - (4) DO NOT EXPOSE PLANTS TO DIRECT SUN OR FROST.
 - (5) PRUNE ONLY IN ACCORDANCE WITH STANDARD CONSTRUCTION DOCUMENTS.

3		All Dimensions Shown In Metres, Unless Otherwise Noted	
2			
1	JULY 2017	Title LOCAL BOULEVARD FOR 20m ROW TYPICAL SOFTSCAPE SECTION (4.5m) BLVD	
	Revision Date	Approved	
 <p>CITY OF SURREY the future lives here.</p>		Approved	
		Date	JULY 2017
		Drawn By	Surrey Engineering
		DRAWING NUMBER CCSD-8f	

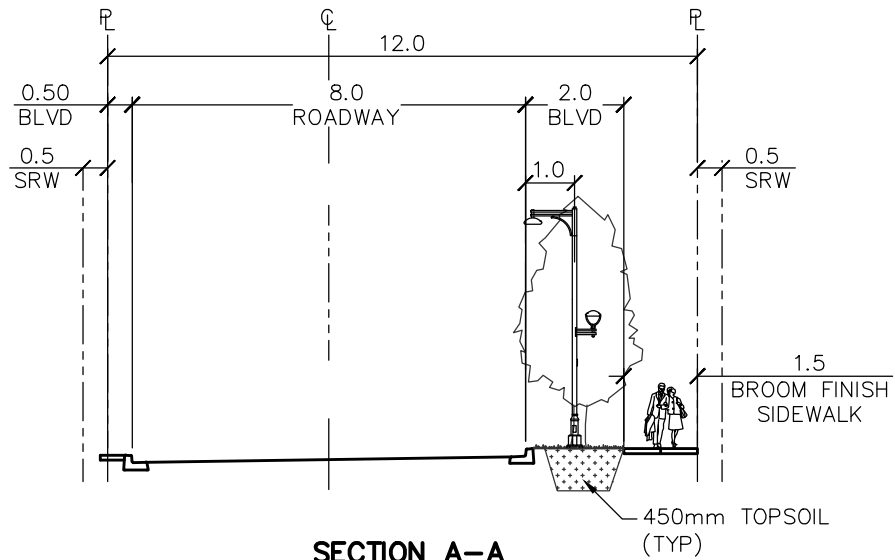
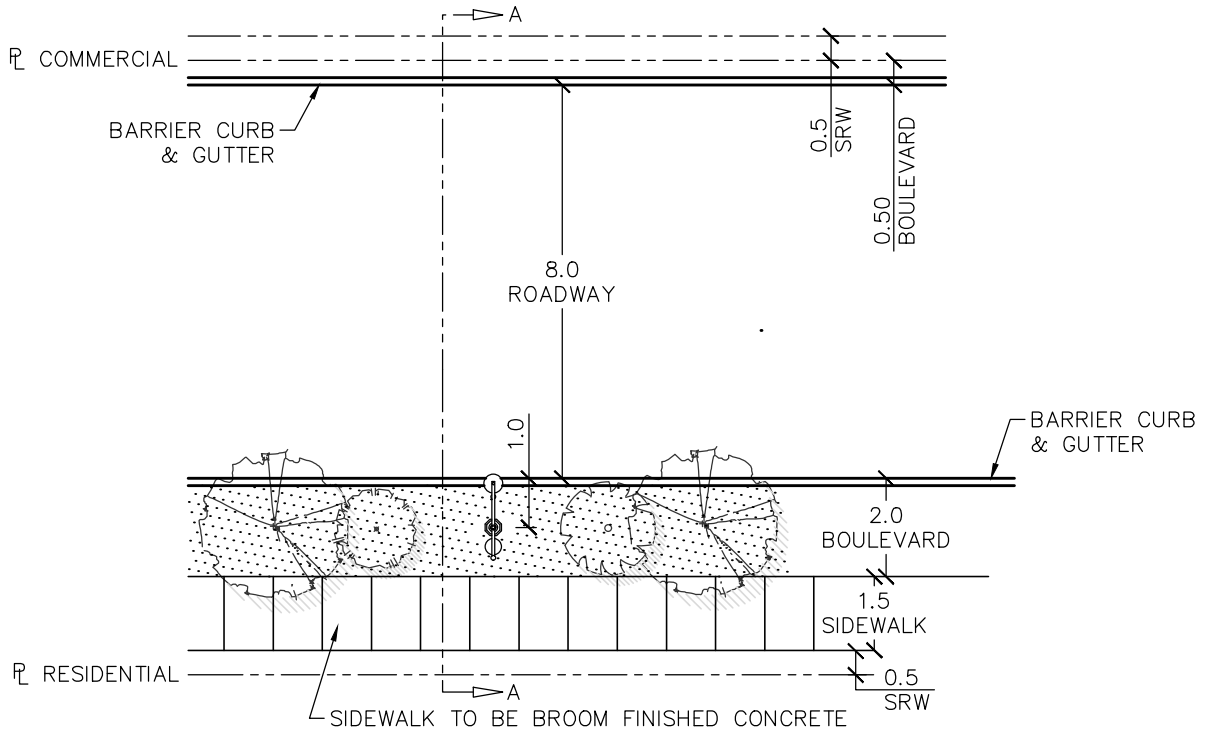


SECTION A-A

- NOTES: (1) TREE SPECIES TO BE AS PER CITY CENTRE STREET TREE AREA MAP CCSD-4.
 (2) BOULEVARD TO BE SODDED WITH MIN. 450mm THICK ABSORBANT TOPSOIL.
 (3) COLUMNER STREET TREES


3		All Dimensions Shown In Metres, Unless Otherwise Noted
2		
1	JULY 2017	Title TYPICAL CROSS SECTION GREEN LANES (6.5m) PAVEMENT
	Revision Date	Approved
		Approved
CITY CENTRE STANDARD DRAWINGS		Date JULY 2017
		Drawn By Surrey Engineering
		DRAWING NUMBER CCSD-9a

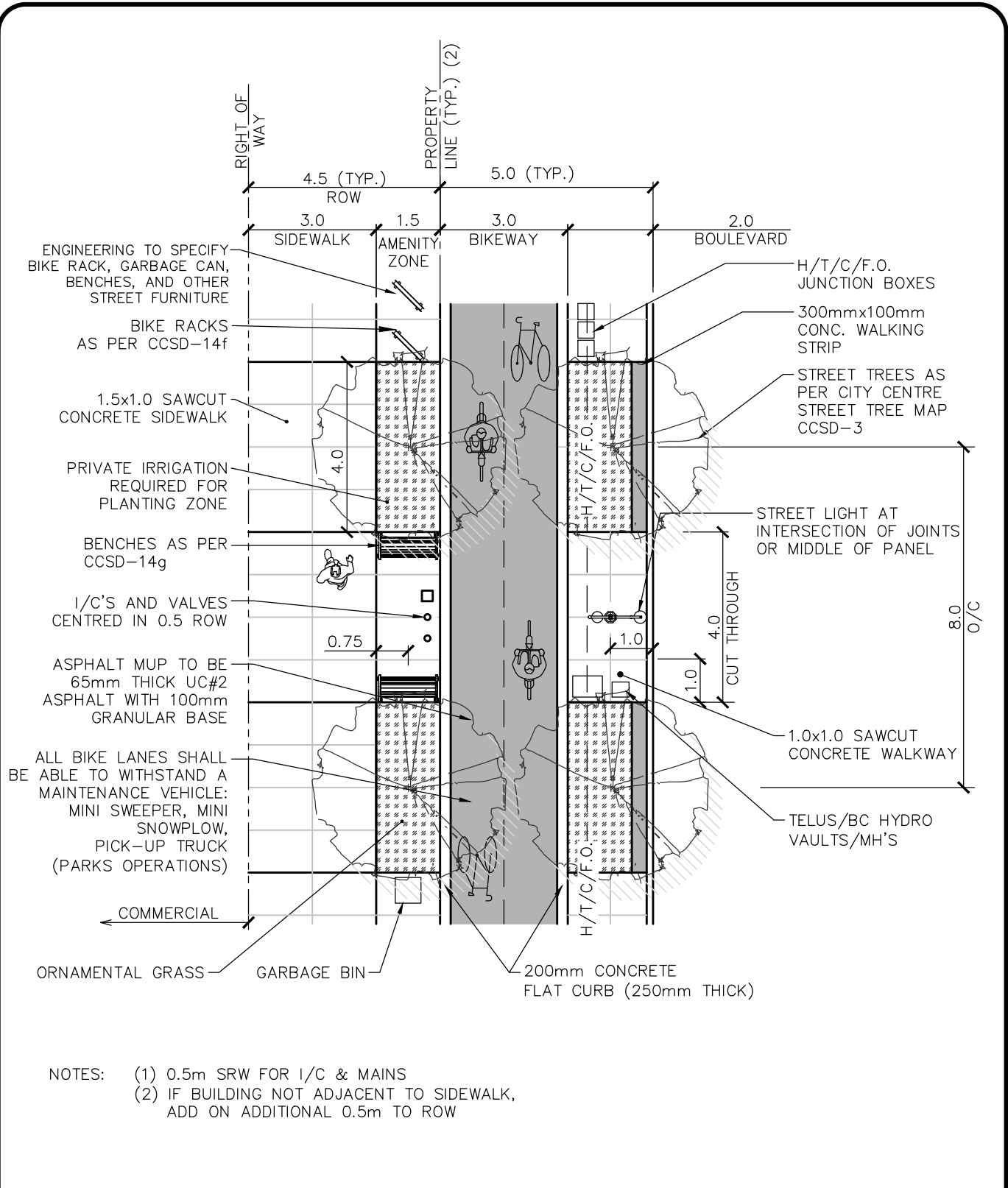
Jul 19 2017 2:16pm M:\2012\12-177\016\CCSD DRAWINGS\cc Green Lanes Residential - Residential.dwg/9a - R\Sun




SECTION A-A

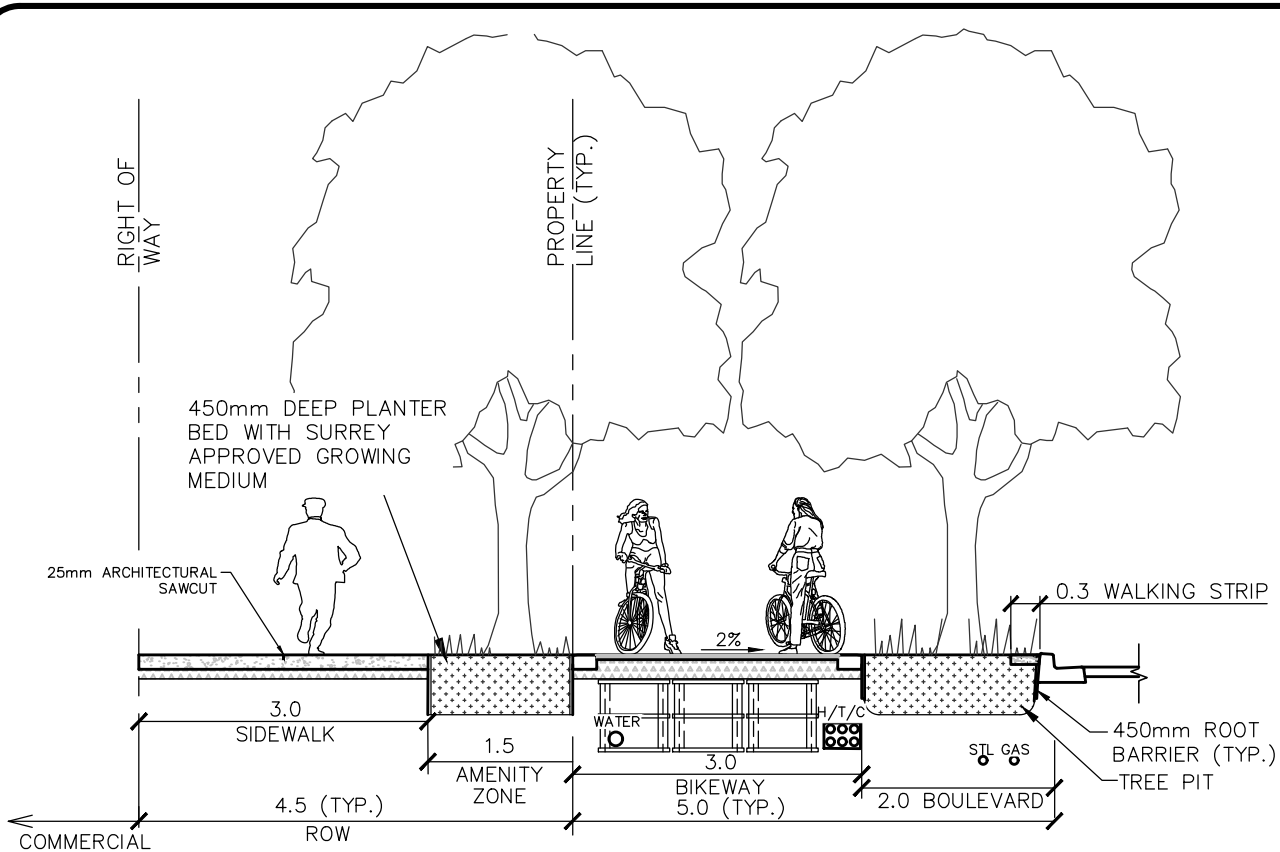
- NOTES:
- (1) TREE SPECIES TO BE AS PER CITY CENTRE STREET TREE AREA MAP CCSD-4.
 - (2) BOULEVARD TO BE SODDED WITH MIN. 450mm THICK ABSORBANT TOPSOIL.
 - (3) ADDITIONAL STREET TREES MAY BE PLACED IN SMALL GROUPINGS WITH A MIXTURE OF LARGE CANOPY AND MEDIUM UNDERSTORY TREES IN CURB EXTENSION AS DIRECTED BY ENGINEER.
 - (4) PARKING MAY BE PERMITTED IN LANE AS DIRECTED BY ENGINEER.

3		All Dimensions Shown In Metres, Unless Otherwise Noted	
2		TYPICAL CROSS SECTION GREEN LANES (8.0m) PAVEMENT	
1	JULY 2017		
	Revision Date	Approved	
 CITY OF SURREY the future lives here.		CITY CENTRE STANDARD DRAWINGS	
		Approved	
		Date	
		DRAWING NUMBER	
		CCSD-9b	
		Surrey Engineering	

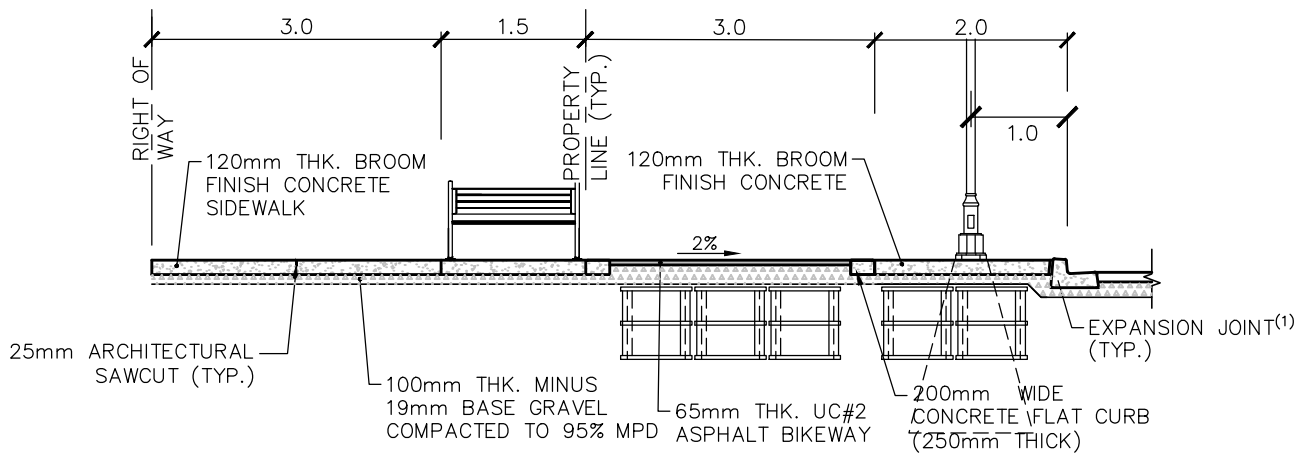


- NOTES: (1) 0.5m SRW FOR I/C & MAINS
 (2) IF BUILDING NOT ADJACENT TO SIDEWALK, ADD ON ADDITIONAL 0.5m TO ROW

3		All Dimensions Shown In Metres, Unless Otherwise Noted	
2			
1	JULY 2017		
	Revision Date	Approved	Title BC PARKWAY WITH HARDSCAPE BOULEVARD
		Approved	
CITY CENTRE STANDARD DRAWINGS		Date JULY 2017	
		Drawn By Surrey Engineering	DRAWING NUMBER CCSD-10a




SECTION THROUGH TREE PLANTING

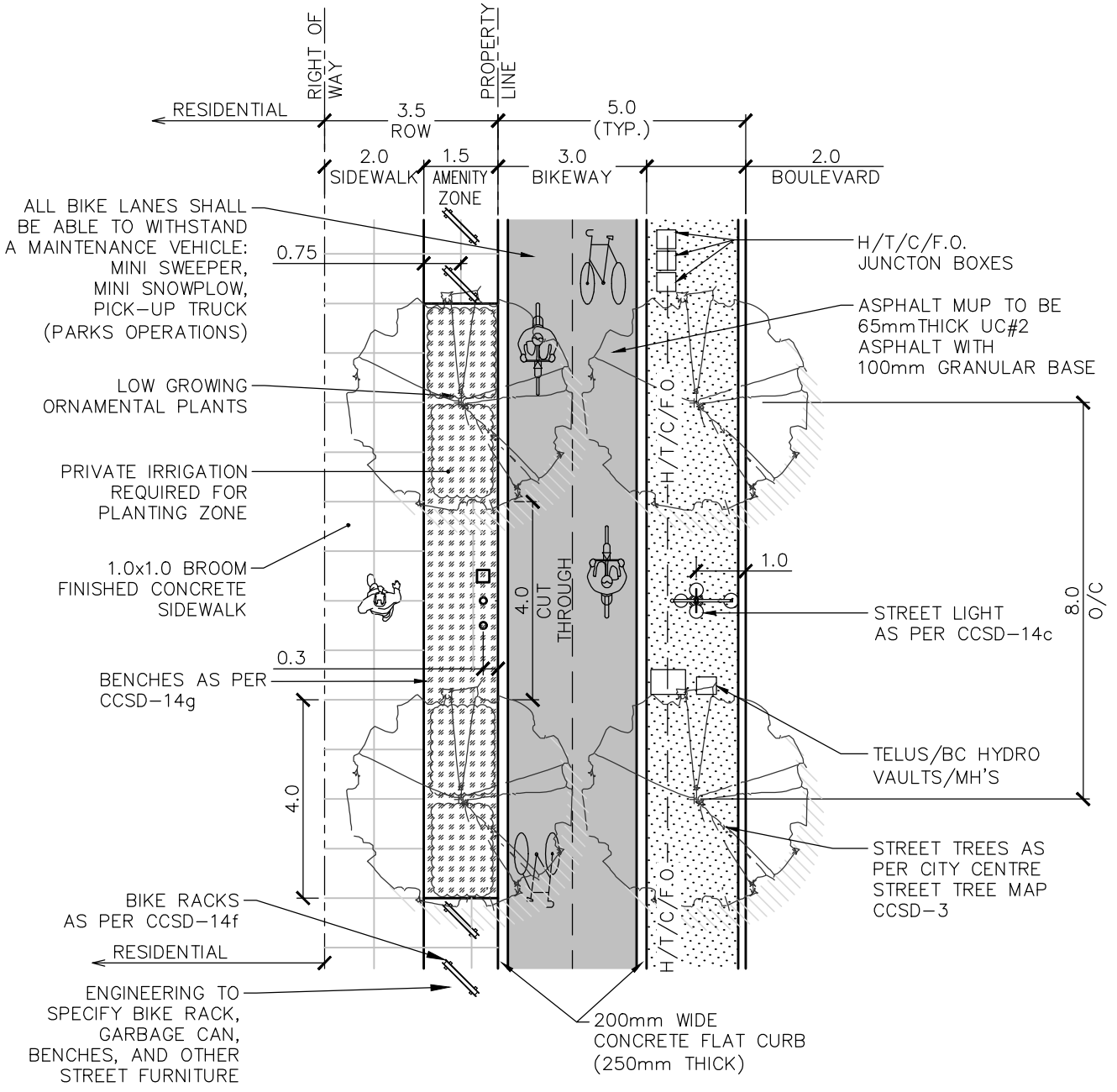


SECTION THROUGH CUT THROUGH

- NOTES:
- (1) EXPANSION JOINTS SHALL USE FULL DEPTH ASPHALT IMPREGNATED FIBREBOARD @ MAXIMUM 9m LONGITUDINAL SPACING. EXPANSION JOINTS SHALL BE PROVIDED AGAINST ALL VERTICAL EDGES AND CHANGE IN MATERIALS. 50mm SMOOTH TROWEL ON BOTH SIDES OF EXPANSION JOINT.
 - (2) CONTROL JOINTS SHALL HAVE A MAXIMUM 3m SPACING. CONTROL JOINTS SHALL BE SAWCUT ONLY.
 - (3) CONTROL JOINT AND EXPANSION JOINT LAYOUTS TO BE CHALK MARKED AND APPROVED BY LANDSCAPE ARCHITECT PRIOR TO COMPLETION.
 - (4) CONCRETE EDGE ALONG PROPERTY LINE TO HAVE 150mm TROWEL FINISH. ALL SCORELINES TO STOP PRIOR TO TROWELED EDGE.

3		All Dimensions Shown In Metres, Unless Otherwise Noted
2		
1	JULY 2017	Title BC PARKWAY WITH HARDSCAPE BLVD – CROSS SECTION
	Revision Date Approved	
 CITY CENTRE STANDARD DRAWINGS		Approved
		Date JULY 2017
		Drawn By Surrey Engineering
		DRAWING NUMBER CCSD-10b

Jul 19 2017 - 2:17pm M:\2012\12-177\DWG\CCSD DRAWINGS\15b. BC Parkway with Hardscape Boulevard - Cross Section.dwg/15b. KSuan



3	
2	
1	JULY 2017
	Revision Date
	Approved

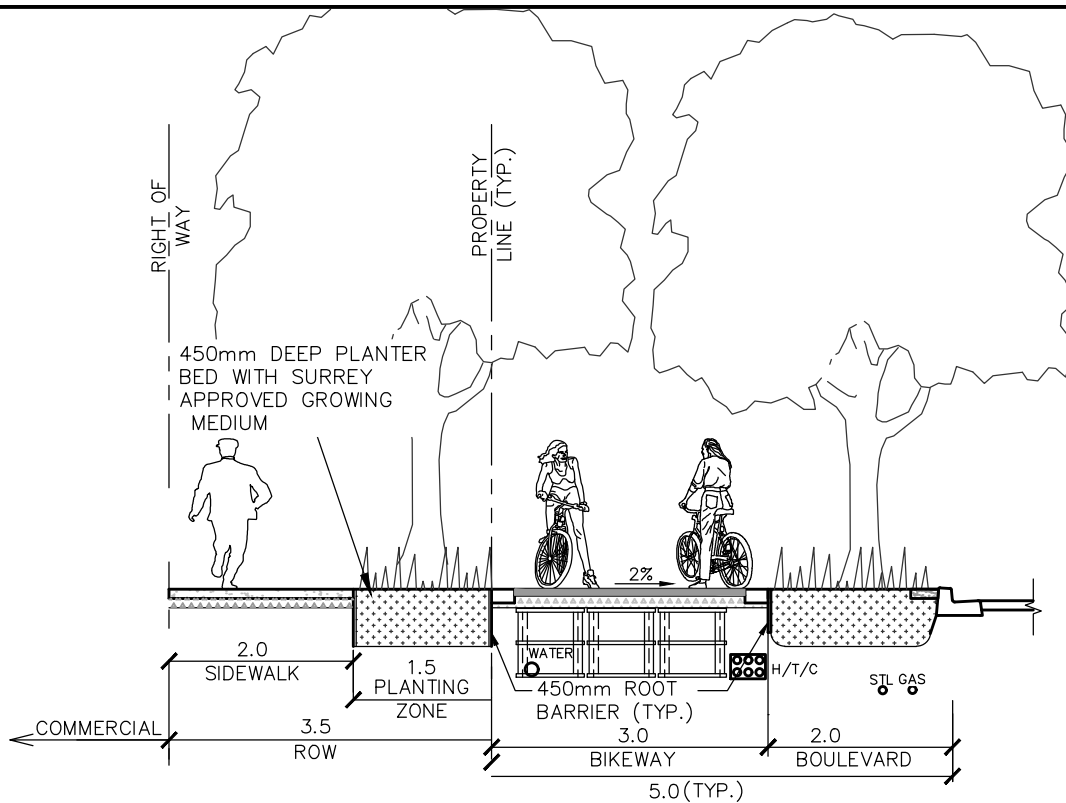
All Dimensions Shown In Metres, Unless Otherwise Noted

Title **BC PARKWAY WITH SOFTSCAPE**

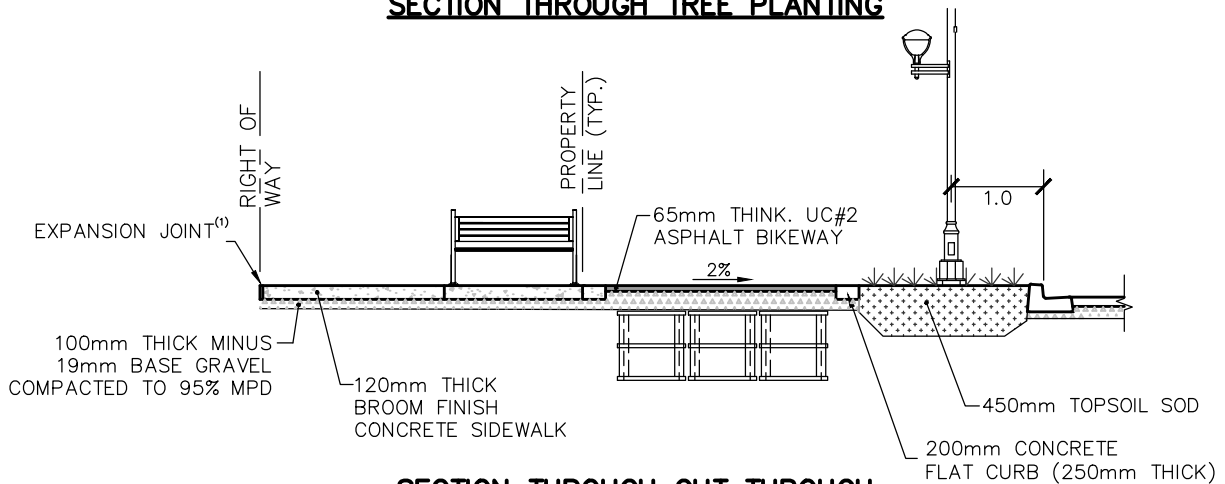


Approved	
Date	JULY 2017
Drawn By	Surrey Engineering

DRAWING NUMBER **CCSD-10c**




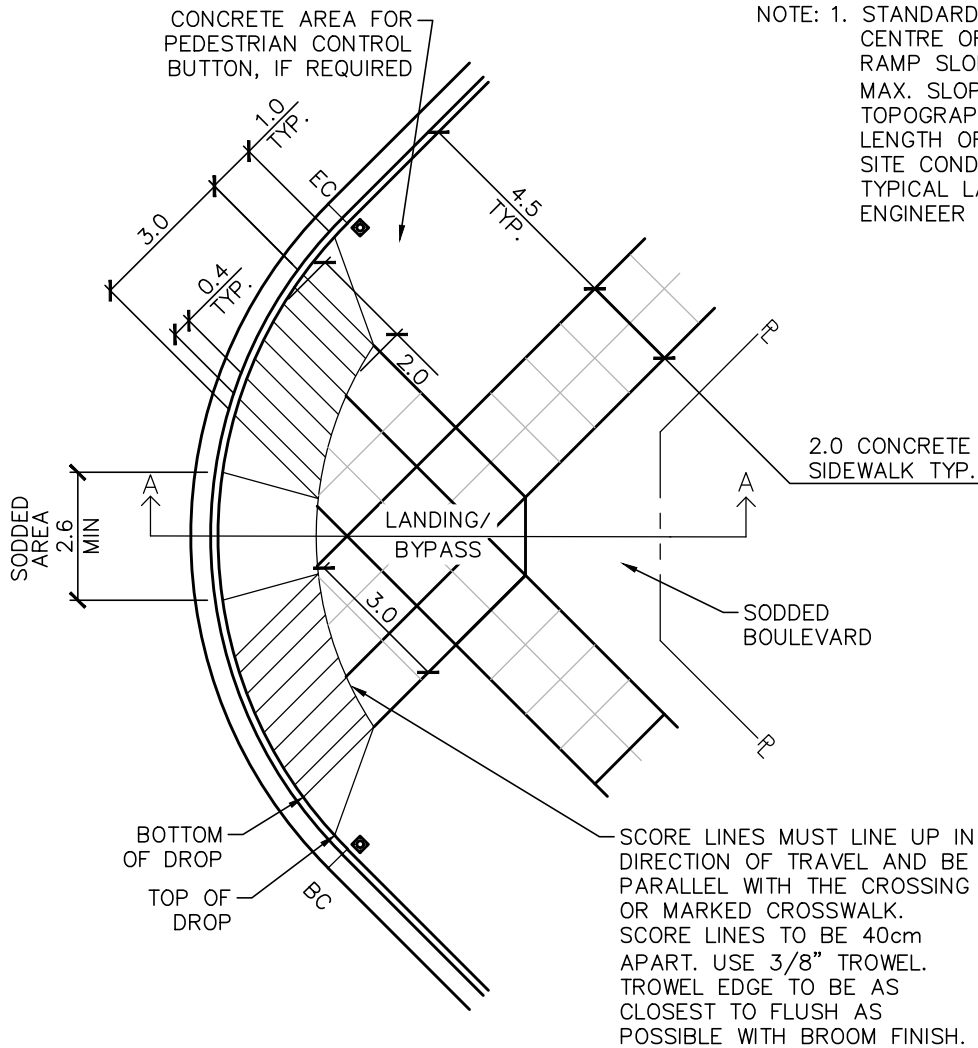
SECTION THROUGH TREE PLANTING



SECTION THROUGH CUT THROUGH

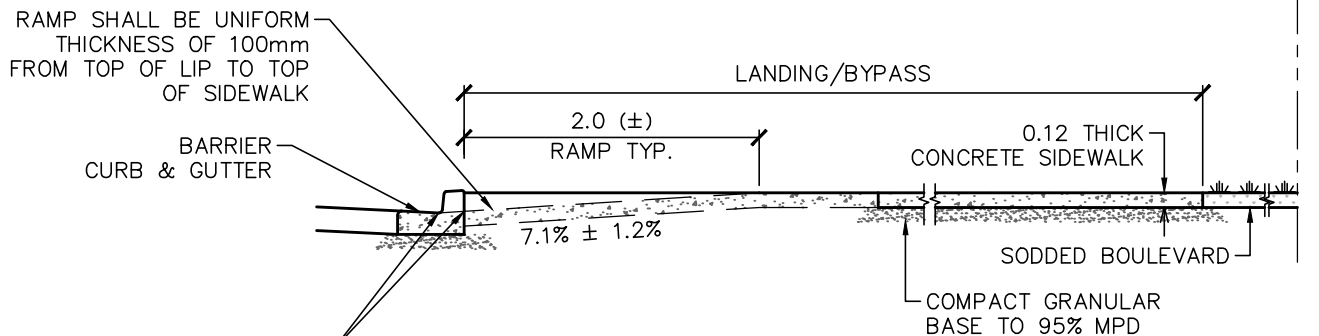
- NOTES:
- (1) EXPANSION JOINTS SHALL USE FULL DEPTH ASPHALT IMPREGNATED FIBREBOARD @ MAXIMUM 9m LONGITUDINAL SPACING. EXPANSION JOINTS SHALL BE PROVIDED AGAINST ALL VERTICAL EDGES AND CHANGE IN MATERIALS. 50mm SMOOTH TROWEL ON BOTH SIDES OF EXPANSION JOINT.
 - (2) CONTROL JOINTS SHALL HAVE A MAXIMUM 3m SPACING. CONTROL JOINTS SHALL BE SAWCUT ONLY.
 - (3) CONTROL JOINT AND EXPANSION JOINT LAYOUTS TO BE CHALK MARKED AND APPROVED BY LANDSCAPE ARCHITECT PRIOR TO COMPLETION.
 - (4) CONCRETE FINISH TO MATCH EXISTING CONCRETE SIDEWALK FINISH
 - (5) CONCRETE EDGE ALONG PROPERTY LINE TO HAVE 150mm TROWEL FINISH. ALL SCORELINES TO STOP PRIOR TO TROWELED EDGE.

3		All Dimensions Shown In Metres, Unless Otherwise Noted	
2			
1	JULY 2017		
	Revision Date	Approved	BC PARKWAY WITH SOFTSCAPE – CROSS SECTION
	Approved		
	Date	JULY 2017	
	Drawn By		Surrey Engineering
 <p>CITY OF SURREY the future lives here.</p> <p>CITY CENTRE STANDARD DRAWINGS</p>			DRAWING NUMBER
			CCSD-10d





NOTE: 1. STANDARD RAMP LENGTH: 2.0m AT CENTRE OF RAMP. RECOMMENDED RAMP SLOPE: 7.1% ± 1.2%. MAX. SLOPE 8.3% (1:12) WHERE TOPOGRAPHY PERMITS. ADJUST LENGTH OF RAMP AS REQUIRED WHEN SITE CONDITIONS DO NOT PERMIT TYPICAL LAYOUT. CONTACT CITY ENGINEER FOR APPROVAL OF DESIGN.

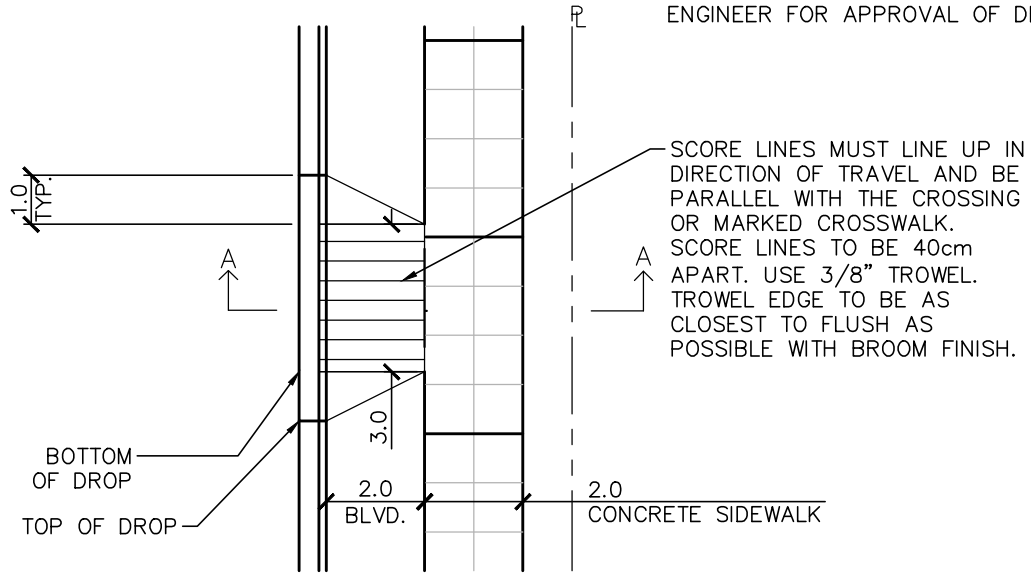
SPLIT LETDOWN



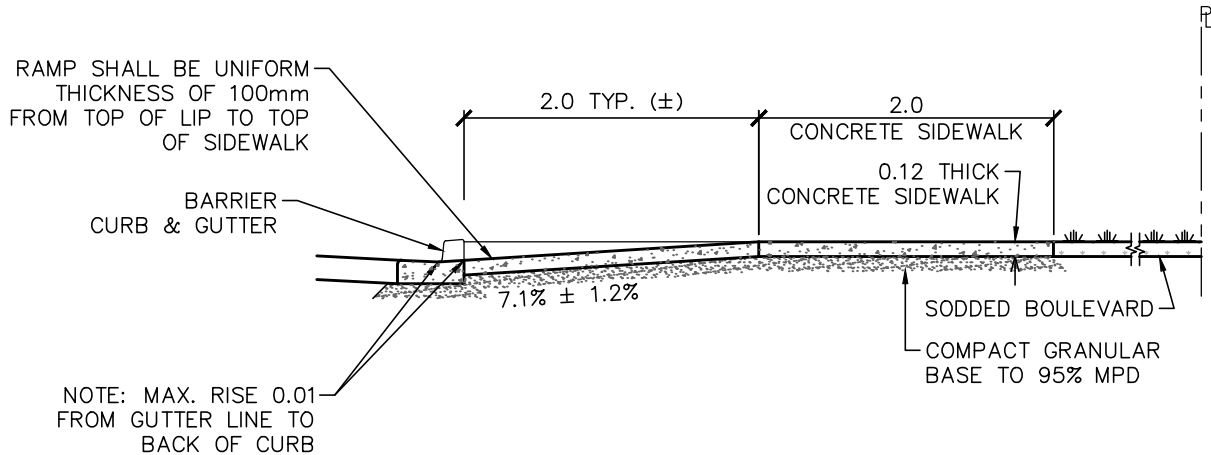
SECTION A-A CURB RAMP

3		All Dimensions Shown In Metres, Unless Otherwise Noted		
2				
1	JULY 2017			
	Revision Date	Approved	Title	SPLIT LETDOWN AT INTERSECTION BOULEVARD GREATER THAN 4.50m
			Approved	
			Date	JULY 2017
			Drawn By	Surrey Engineering
			DRAWING NUMBER	CCSD-11b


NOTE: 1. STANDARD RAMP LENGTH: 2.0m AT CENTRE OF RAMP. RECOMMENDED RAMP SLOPE: 7.1% ± 1.2%. MAX. SLOPE 8.3% (1:12) WHERE TOPOGRAPHY PERMITS. ADJUST LENGTH OF RAMP AS REQUIRED WHEN SITE CONDITIONS DO NOT PERMIT TYPICAL LAYOUT. CONTACT CITY ENGINEER FOR APPROVAL OF DESIGN.



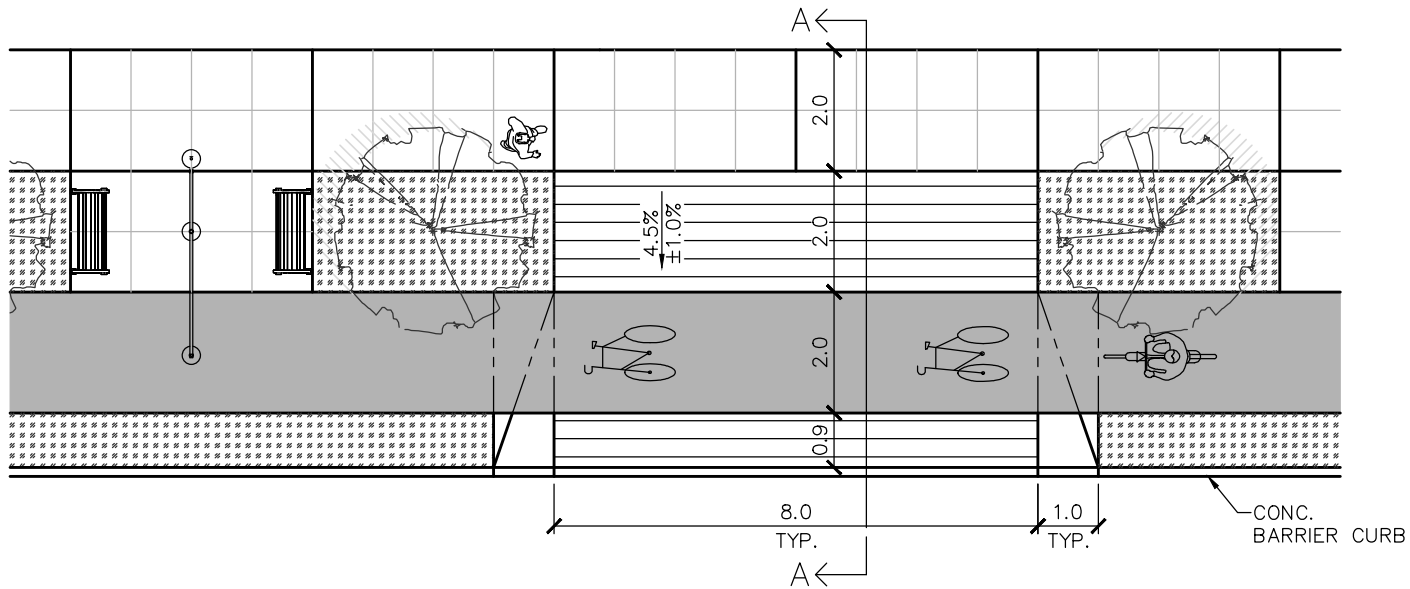
PLAN



SECTION A-A CURB RAMP

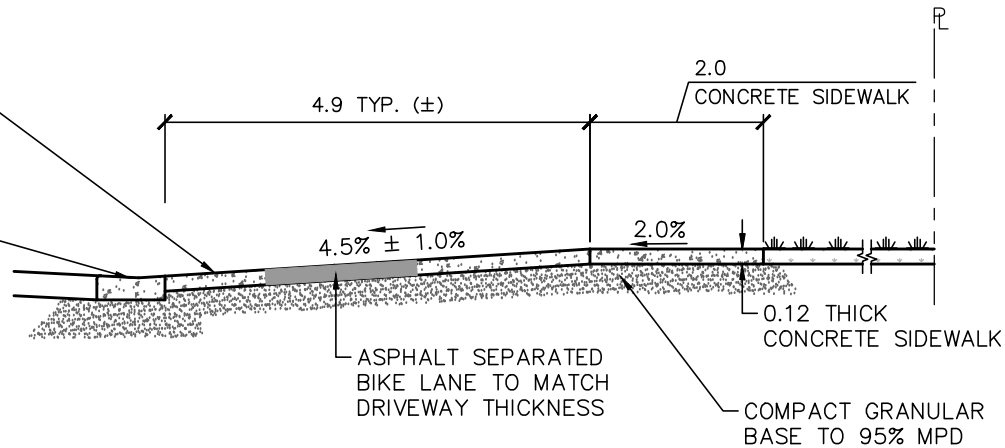
3		All Dimensions Shown In Metres, Unless Otherwise Noted	
2			
1	JULY 2017		
	Revision Date	Approved	SINGLE RAMP LETDOWN WITH PARALLEL SCORING
		Approved	
CITY CENTRE STANDARD DRAWINGS		Date JULY 2017	
		Drawn By Surrey Engineering	DRAWING NUMBER CCSD-11c

TYPE 1



RAMP SHALL BE UNIFORM THICKNESS FROM TOP OF LIP TO FRONT OF SIDEWALK

25 LIP WITH 15 RADIUS



4.9 TYP. (±)

2.0
CONCRETE SIDEWALK

4.5% ± 1.0%

2.0%

0.12 THICK
CONCRETE SIDEWALK

ASPHALT SEPARATED
BIKE LANE TO MATCH
DRIVEWAY THICKNESS

COMPACT GRANULAR
BASE TO 95% MPD

3	
2	
1	JULY 2017
	Revision Date Approved

All Dimensions Shown In Metres,
Unless Otherwise Noted

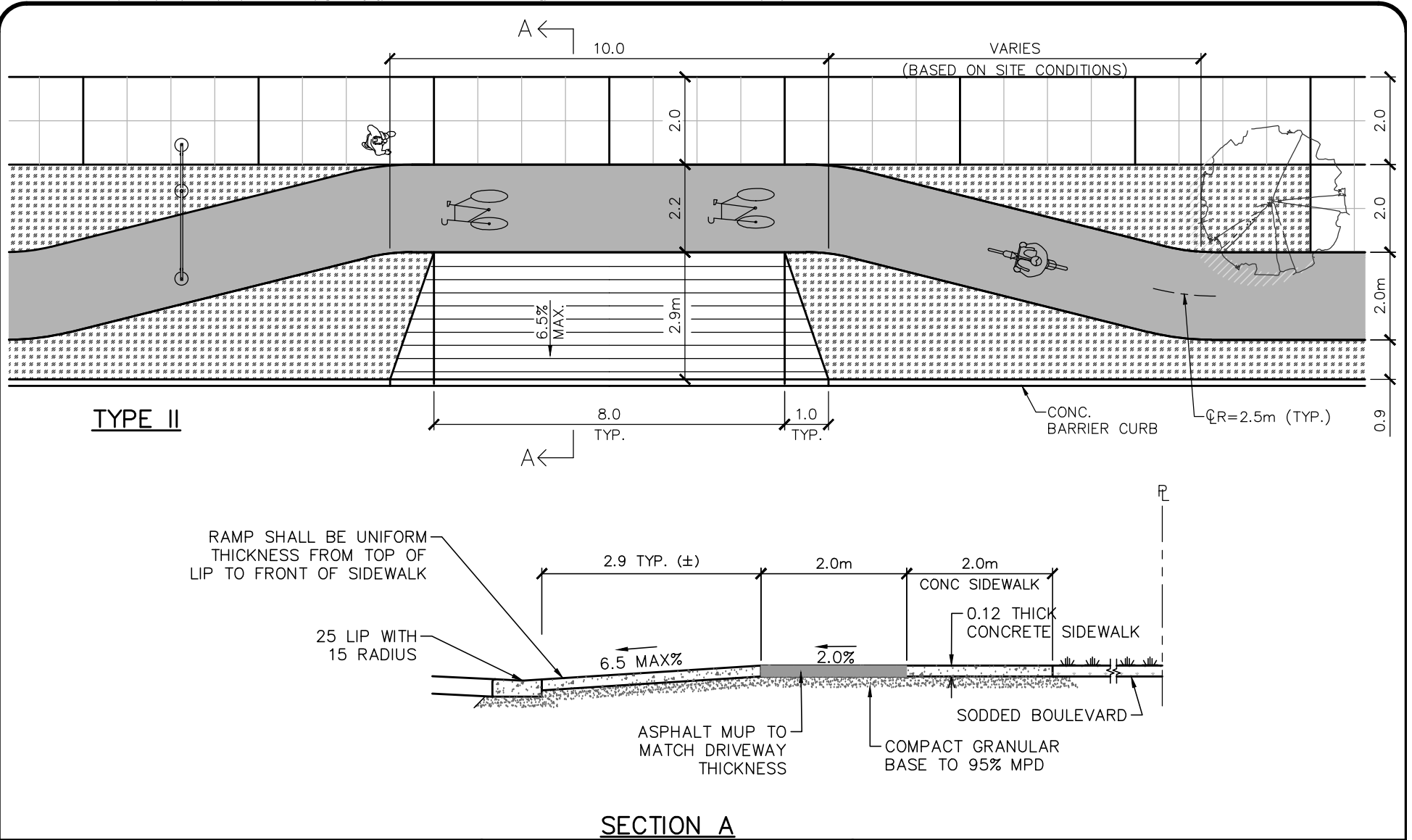
Title **DRIVEWAY TYPE 1 PLAN &
SECTION VIEW (30m) ROW**

Approved
Date JULY 2017
Drawn By Surrey Engineering

DRAWING NUMBER
CCSD-12a



CITY CENTRE
STANDARD
DRAWINGS

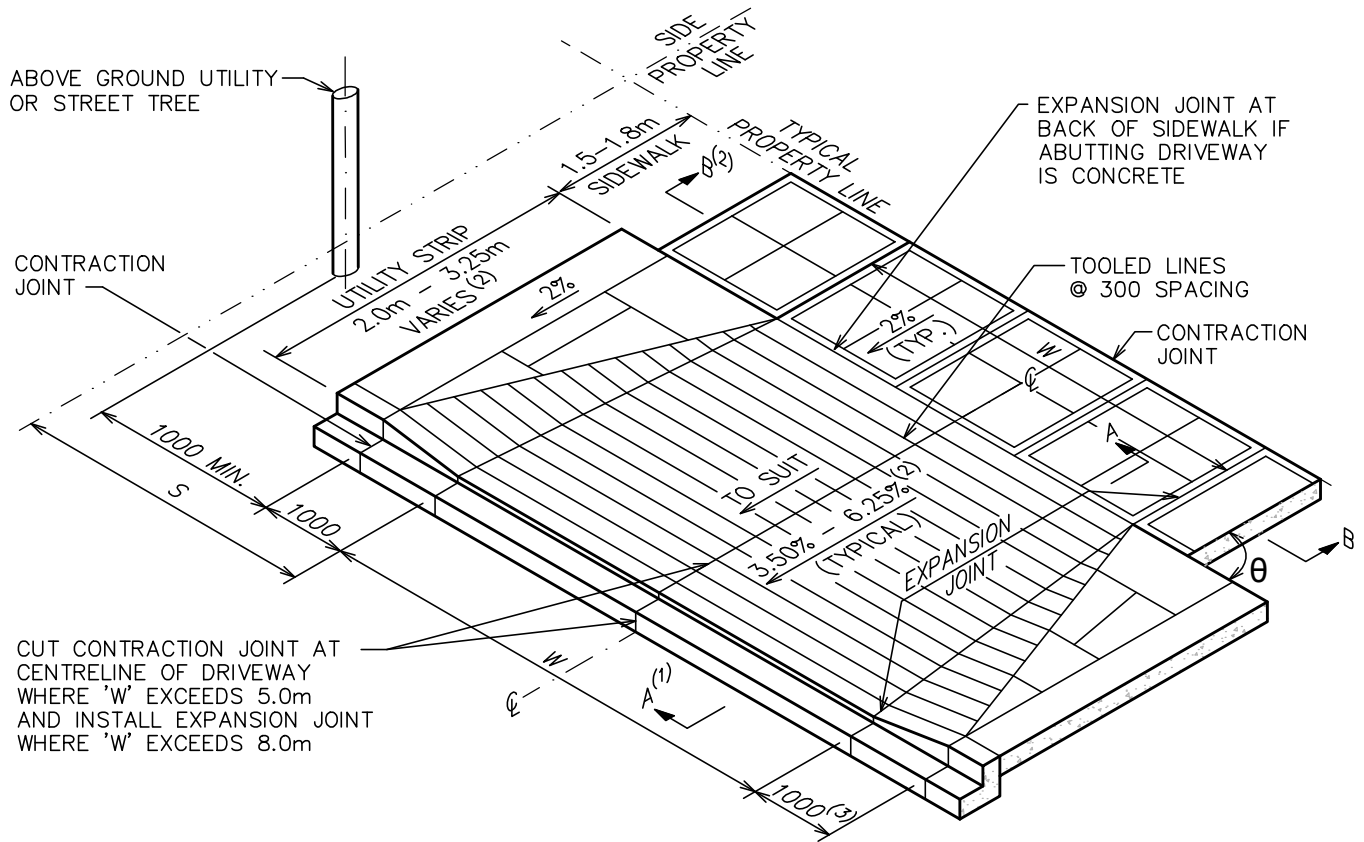


3	
2	
1	JULY 2017
	Revision Date Approved

All Dimensions Shown In Metres, Unless Otherwise Noted	
Title	DRIVEWAY TYPE II PLAN & SECTION VIEW (30m) ROW
Approved	
Date	JULY 2017
Drawn By	Surrey Engineering




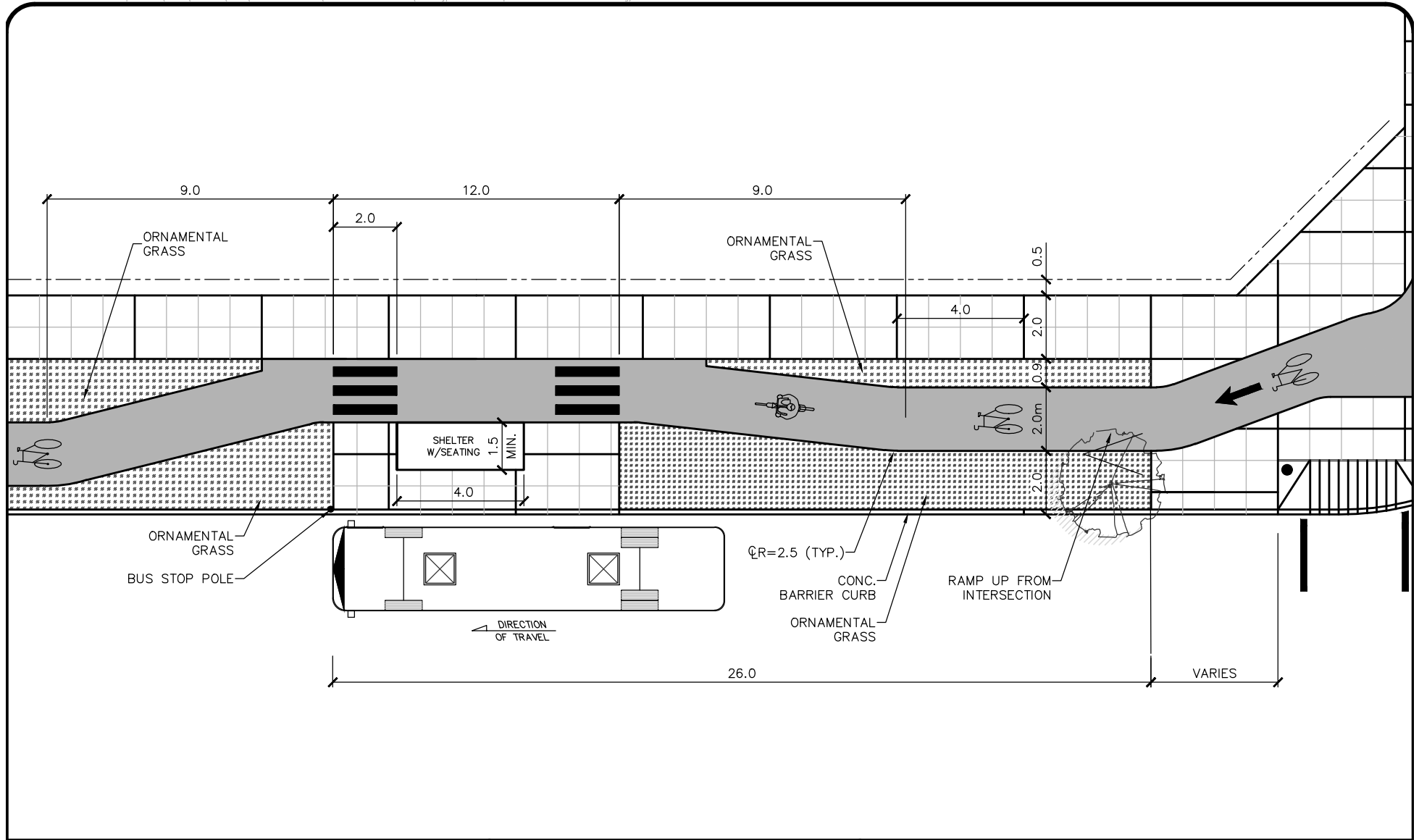
DRAWING NUMBER	
CCSD-12b	



ZONE	OPERATION	W		S	θ - MIN. ANGLE BTWN. THE FRONTAGE PROP. LINE AND THE EDGE OF DRIVEWAY (DEG.)
		MIN. (m)	STD. (m)	MIN. DISTANCE FROM SIDE PROPERTY LINE (m)	
SINGLE FAMILY RESIDENTIAL	N/A	4.5	6.0	1.2	90
MULTI FAMILY RESIDENTIAL	TWO WAY	N/A	7.3	2.0	90
	ONE WAY	N/A	4.5	2.0	45
LANE	RESIDENTIAL	N/A	7.3	2.0	90
	COMMERCIAL	N/A	9.3	2.0	45
COMMERCIAL	TWO WAY	7.3	9.0	2.0	90
	ONE WAY	N/A	4.5	2.0	45
INDUSTRIAL	TWO WAY	9.0	11.0	2.0	90
	ONE WAY	N/A	5.0	2.0	30

- NOTES: (1) FOR SECTION A-A REFER TO SSD-R.42.1.
 (2) FOR UTILITY STRIP LESS THAN 2.0m, LETDOWN SLOPE SHALL BE 2% AND REFER TO SECTION B-B ON SSD-R.42.1.
 (3) FLARE IS NOT PERMITTED FOR SINGLE FAMILY RESIDENTIAL UNLESS DIRECTED BY ENGINEER.
 (4) EXPANSION JOINTS SHALL USE FULL DEPTH ASPHALT IMPREGNATED FIBREBOARD @ MAXIMUM 9m LONGITUDINAL SPACING. EXPANSION JOINTS SHALL BE PROVIDED AGAINST ALL VERTICAL EDGES AND CHANGE IN MATERIALS.

3		All Dimensions Shown In Metres, Unless Otherwise Noted	
2			
1	JULY 2017	Title	LOCAL ROAD DRIVEWAYS
	Revision Date	Approved	
 CITY OF SURREY the future lives here.		Approved	
		Date	JULY 2017
		Drawn By	Surrey Engineering
		DRAWING NUMBER	CCSD-12c



3	
2	
1	JULY 2017
	Revision Date
	Approved

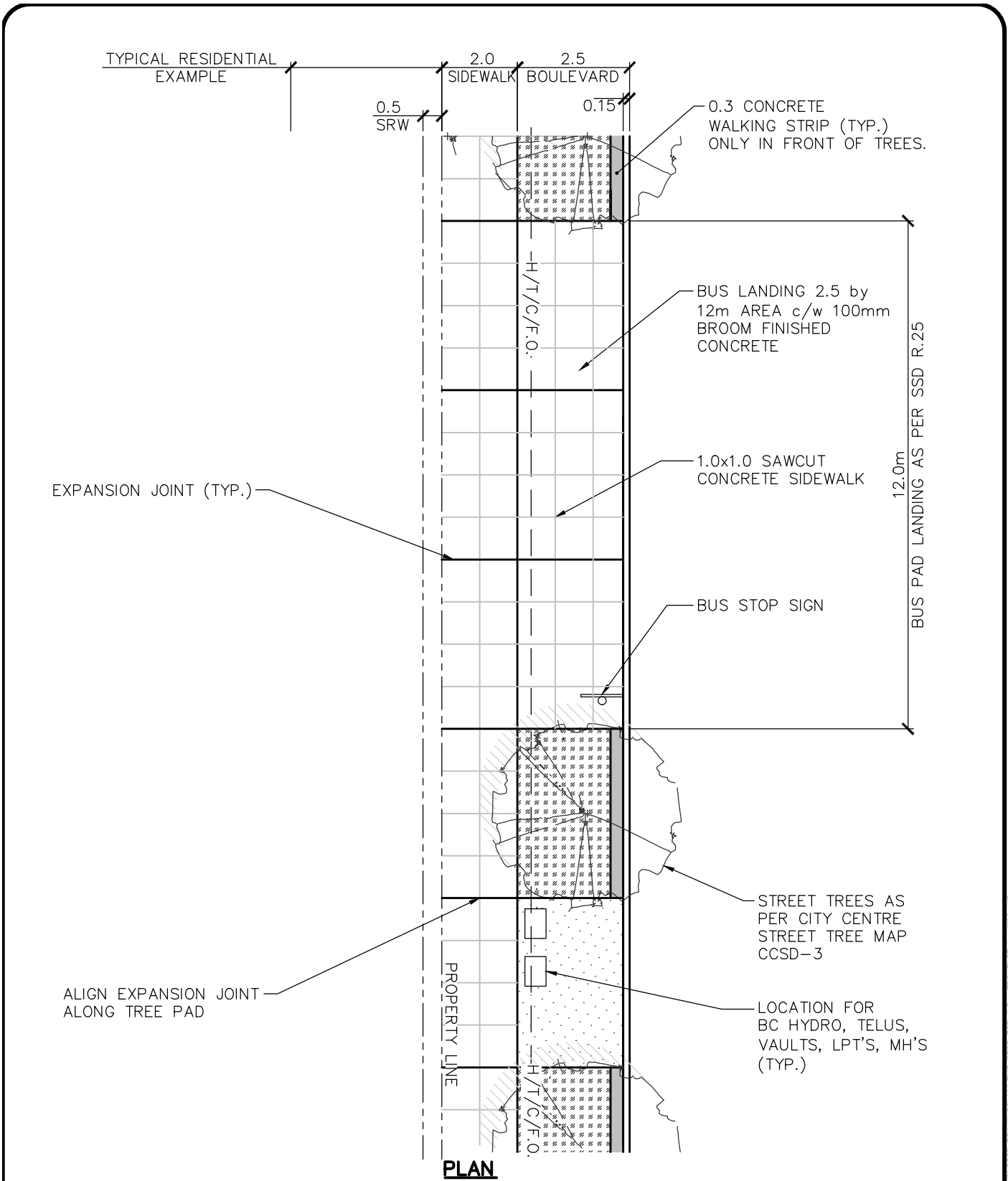
All Dimensions Shown In Metres, Unless Otherwise Noted	
Title	TYPICAL BUS STOP PLAN VIEW (30m) ROW

CITY OF SURREY
the future lives here.

CITY CENTRE
STANDARD
DRAWINGS

Approved	
Date	JULY 2017
Drawn By	Surrey Engineering

DRAWING NUMBER	CCSD-13a
----------------	----------



3	
2	
1	JULY 2017
	Revision Date
	Approved

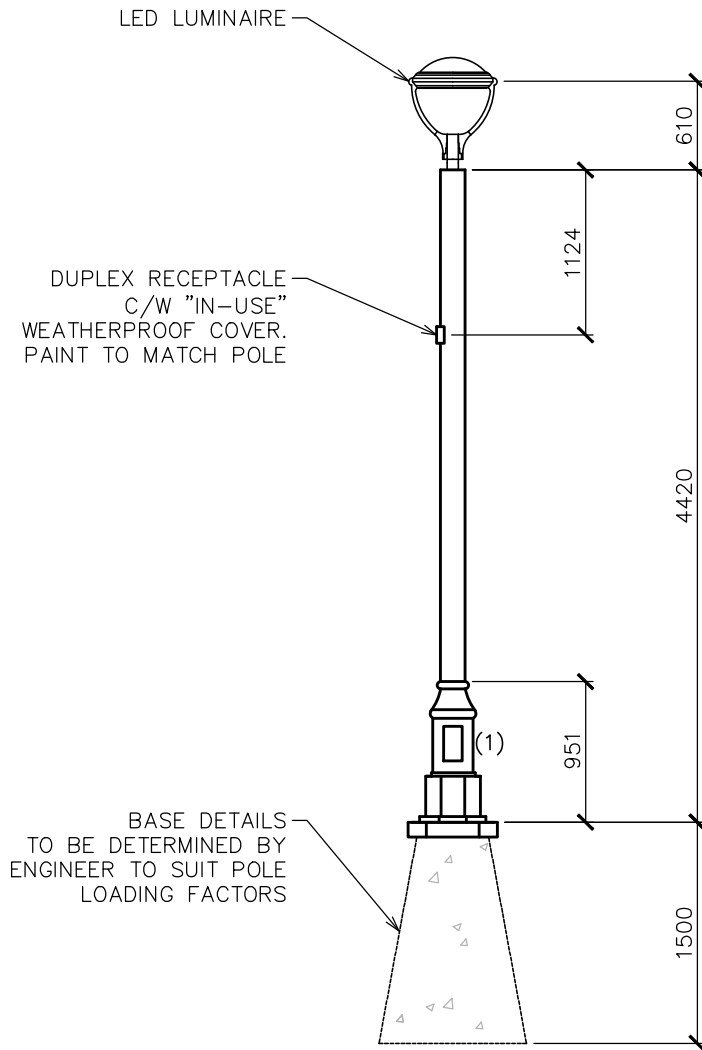
All Dimensions Shown In Metres,
Unless Otherwise Noted

Title **LOCAL BOULEVARD FOR 20m ROW
BUS STOP FOR (4.5m) FRONTAGE**




Approved
Date JULY 2017
Drawn By Surrey Engineering

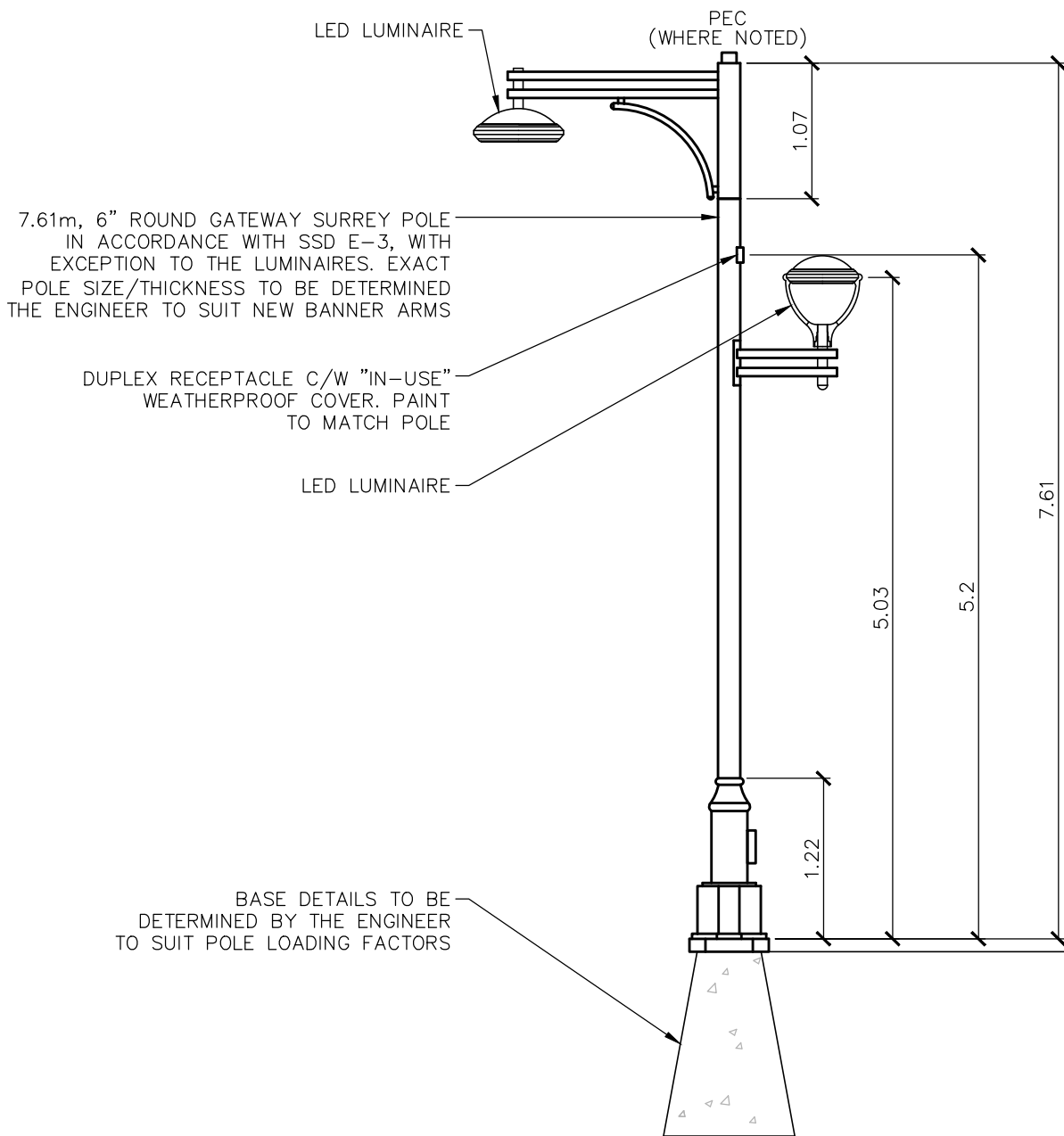
DRAWING NUMBER
CCSD-13b



TYPICAL PROPOSED TYPE 'A'
DECORATIVE LUMINAIRE POST


- NOTES: (1) BOX FOR FUSE AND PHOTOCELL TO BE INSTALLED WHERE IDENTIFIED BY STREETLIGHT ENGINEER.
(2) POLE TO BE POWDER COATED BLACK.

3		All Dimensions Shown In Metres, Unless Otherwise Noted
2		
1	JULY 2017	Title STREET LIGHTS – TYPE 'A'
	Revision Date Approved	
		Approved
CITY CENTRE STANDARD DRAWINGS		Date JULY 2017
		Drawn By Surrey Engineering
		DRAWING NUMBER CCSD-14a

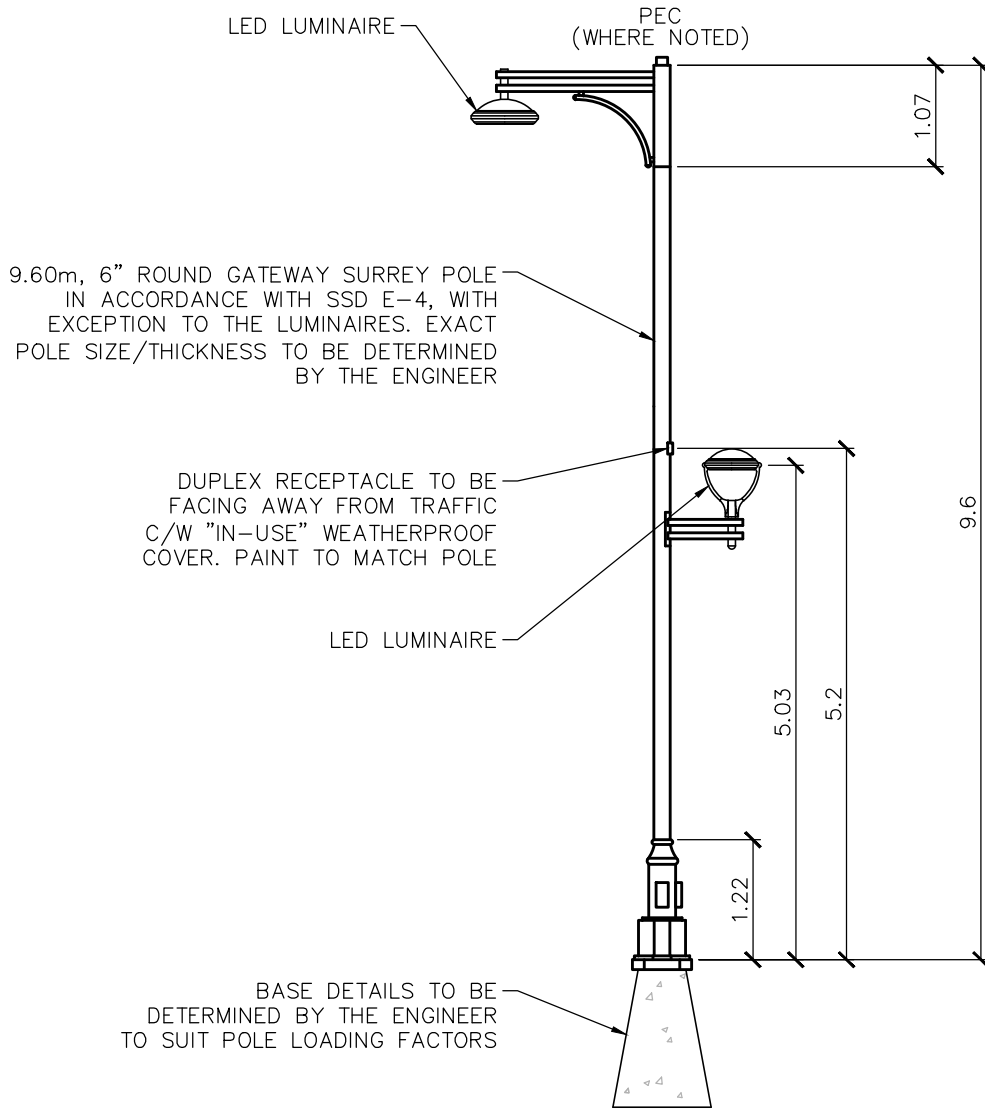


TYPICAL PROPOSED TYPE 'B' DECORATIVE LUMINAIRE POLE

- NOTES: (1) TYPICAL 32m SPACING ON OPPOSITE SIDES, NOT STAGGERED SUBJECT TO ENGINEER APPROVAL
 (2) SUBJECT TO EXCEEDING ILLUMINATION REQUIREMENTS.
 (3) POLE TO BE POWDER COATED RAL 7016 (GREY).


3		All Dimensions Shown In Metres, Unless Otherwise Noted
2		
1	JULY 2017	Title STREET LIGHTS – TYPE 'B' WITH PEDESTRIAN LIGHT
	Revision Date Approved	
 CITY CENTRE STANDARD DRAWINGS		Approved Date JULY 2017 Drawn By Surrey Engineering
		DRAWING NUMBER CCSD-14b

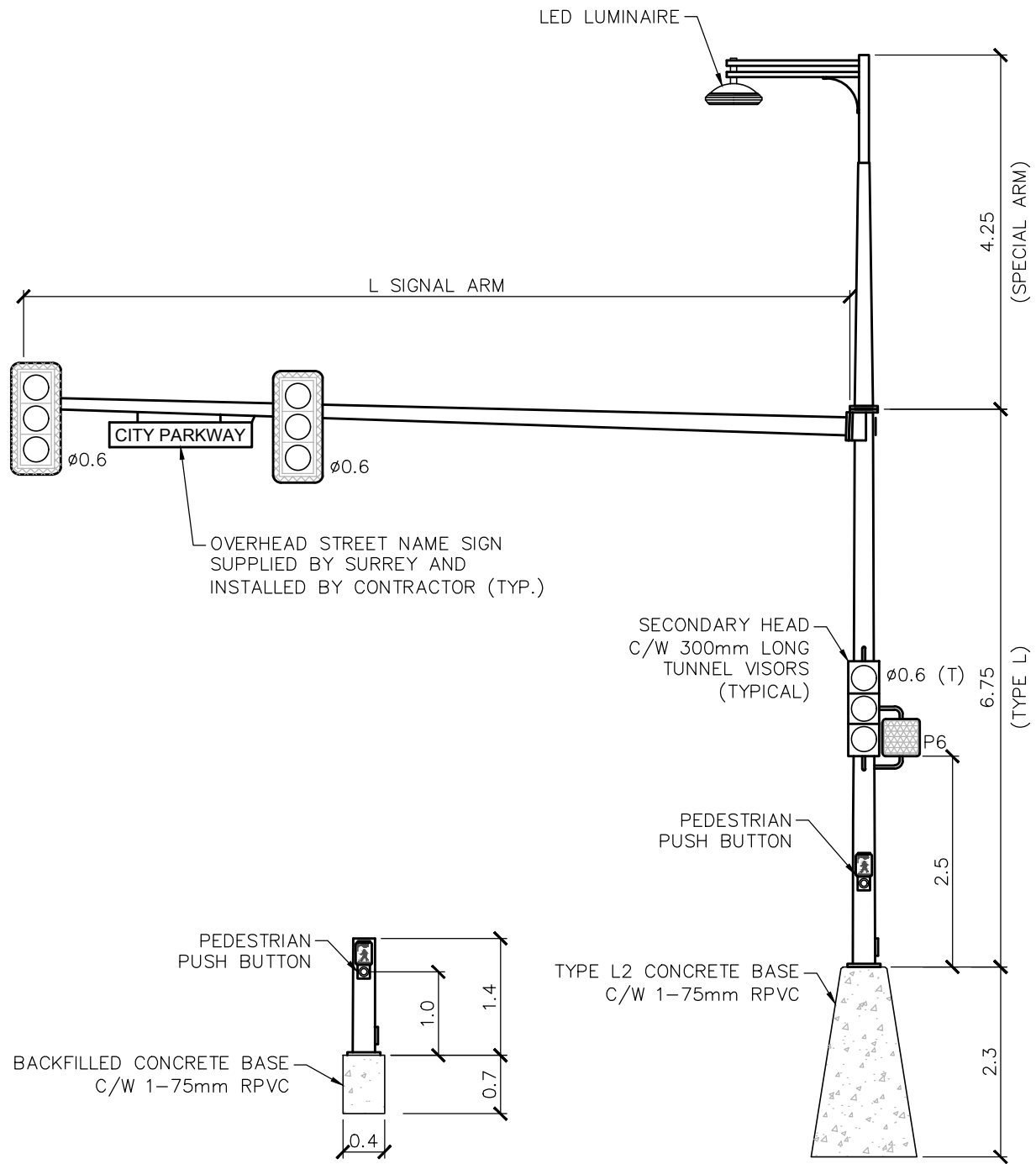
Jul 19 2017 2:29pm M:\2012\12-177\DWG\CCSD DRAWINGS\10b_Street Lights - Type 'B' - Pedestrian Light and Banner.dwg/10b_RS.dwg



**TYPICAL PROPOSED TYPE 'C'
DECORATIVE LUMINAIRE POLE**

- NOTES:
- (1) TYPICAL 40m SPACING ON OPPOSITE SIDES, NOT STAGGERED SUBJECT TO ENGINEER APPROVAL
 - (2) SUBJECT TO EXCEEDING ILLUMINATION REQUIREMENTS
 - (3) 11m POLE MAY BE REQUIRED.
 - (4) POLE TO BE POWDER COATED BLACK.
 - (5) TO ACCOMMODATE BANNER ARMS, CONFIRM WIND LOADING WITH STRUCTURAL ENGINEERING


3		All Dimensions Shown In Metres, Unless Otherwise Noted
2		
1	JULY 2017	Title STREET LIGHTS – TYPE C PEDESTRIAN LIGHT
	Revision Date Approved	
		Approved Date JULY 2017 Drawn By Surrey Engineering
CITY CENTRE STANDARD DRAWINGS		DRAWING NUMBER CCSD-14c

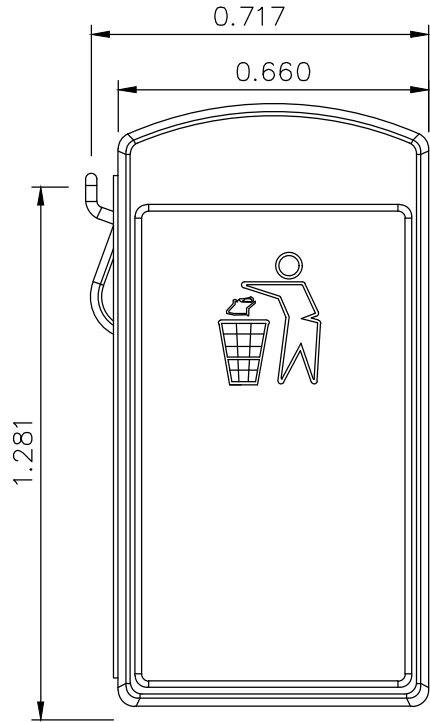


TYPICAL PROPOSED PEDESTRIAN PUSH BUTTON

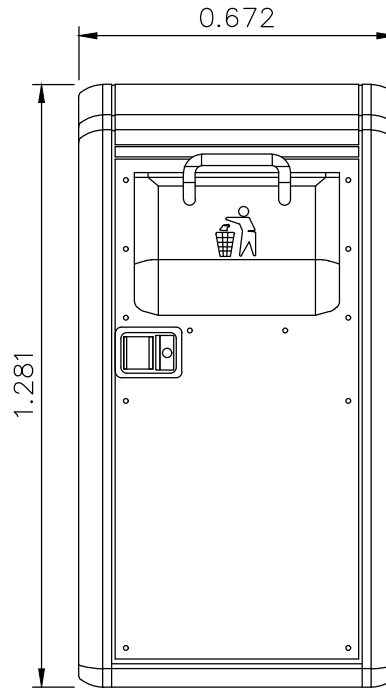
TYPICAL PROPOSED TYPE 'L' TRAFFIC SIGNAL POLE

NOTES: (1) POLES TO BE POWDER COATED BLACK.

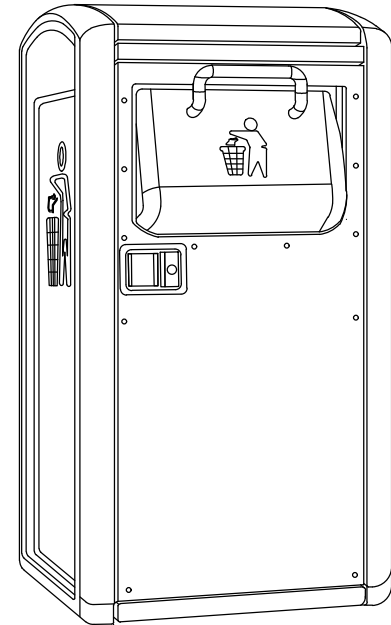
3		All Dimensions Shown In Metres, Unless Otherwise Noted	
2			
1	JULY 2017		
	Revision Date	Approved	Title TRAFFIC SIGNAL POLE
		Approved	
CITY CENTRE STANDARD DRAWINGS		Date JULY 2017	
		Drawn By Surrey Engineering	DRAWING NUMBER CCSD-14d



LEFT SIDE VIEW
NTS



FRONT SIDE VIEW
NTS



ISOMETRIC VIEW
NTS

3		
2		
1	JULY 2017	
	Revision Date	Approved



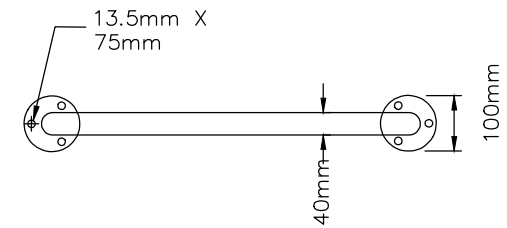
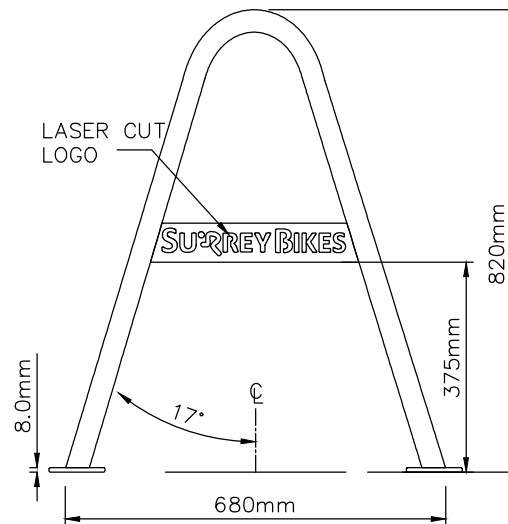
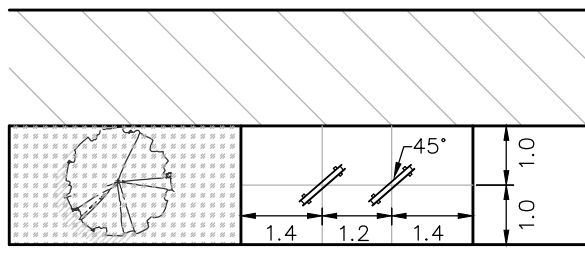
CITY CENTRE
STANDARD
DRAWINGS

All Dimensions Shown In Metres,
Unless Otherwise Noted

Title
TYPICAL TRASH CAN (BIG BELLY)

Approved
Date JULY 2017
Drawn By Surrey Engineering

DRAWING NUMBER
CCSD-14e



SPECIFICATIONS

BICYCLE CAPACITY 2
 RECOMMENDED SPACING 1.2m OC
 MINIMUM SPACING 0.9m OC
 LONGITUDINAL SPACING 3.0m OC

ASSEMBLY MATERIAL MILD STEEL (STAINLESS 304)
 TUBE SIZE 40.0mm
 WALL THICKNESS 3.0mm
 LOGO BAR 4.0mm PLATE
 WEIGHT 8.4KG

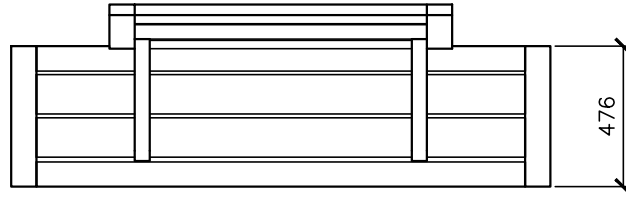
FINISH POWDER COATED OVER ZINC PRIMER
 #4 POLISH (STAINLESS STEEL ONLY)

ANCHOR TYPE CONCRETE WEDGE ANCHOR
 13mm X 75mm
 GALVANIZED (STAINLESS)
 OPTIONAL BREAKAWAY NUTS

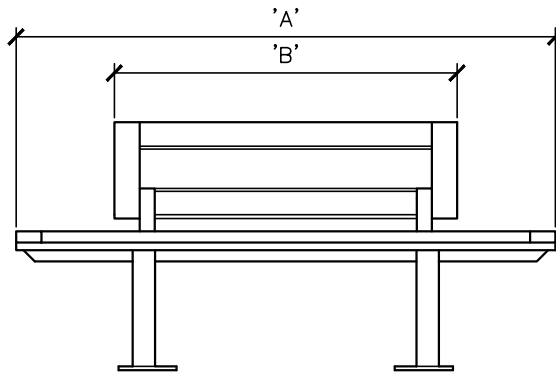
3	
2	
1	JULY 2017
	Revision Date Approved

All Dimensions Shown In Metres, Unless Otherwise Noted	
Title TYPICAL BIKE RACK (BR1)	

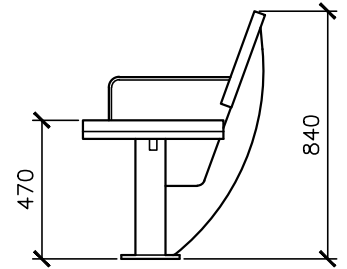
Approved		DRAWING NUMBER CCSD-14f
Date	JULY 2017	
Drawn By	Surrey Engineering	



TOP

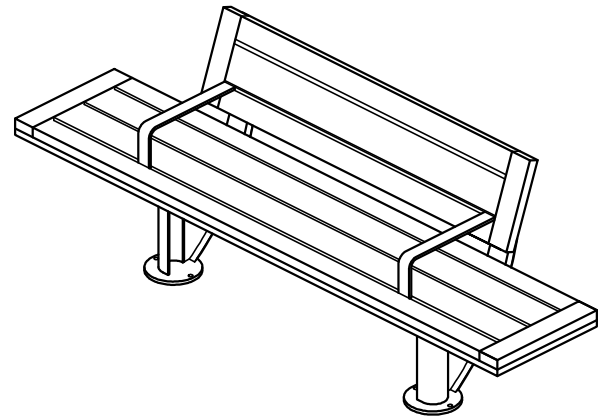


FRONT




ELEVATION

BENCH SIZE	1.8m	2.4m	2.7m
'A'	1.829m	2.388m	2.743m
'B'	1.162m	1.734m	1.905m



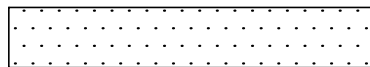
CITY STAFF TO SPECIFY
MATERIALS, COLOURS &
APPROVED MANUFACTURES

3		All Dimensions Shown In Metres, Unless Otherwise Noted
2		
1	JULY 2017	Title BENCH DETAIL
	Revision Date Approved	
		Approved
CITY CENTRE STANDARD DRAWINGS		Date JULY 2017
		Drawn By Surrey Engineering
		DRAWING NUMBER CCSD-14g

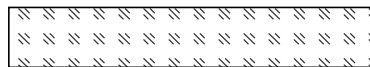
Jul 19 2017 - 2:35pm M:\2012\12-177\DWG\CCSD DRAWINGS\21c Bench Detail - 1.8m.dwg/21c KSuen

SURREY TYPICAL ORNAMENTAL GRASSES

BOTANICAL NAME	COMMON NAME
GRASSES, FESCUES AND SEDGES	
CALAMAGROSTIS ACUTIFOLIA	FEATHER REED GRASS
CAREX VARIETIES	SEDGE
FESTUCA GLUACA	BLUE FESCUE
HELICOTOTRICHON	BLUE OAT GRASS
IMPERNATA CYLINDRA	JAPANESE BLOOD GRASS
MISCANTHA VARIETIES	SILVER GRASS
PANICUM VERIGATUM	SWITCH GRASS
PENNISETUM VARIETIES	FOUNTAIN GRASS
STIPA TENUISSIAN	FEATHER GRASS



BOULEVARD GRASS PLAN VIEW




ORNAMENTAL GRASS PLAN VIEW



BOULEVARD GRASS SECTION VIEW



ORNAMENTAL GRASS SECTION VIEW

3		All Dimensions Shown In Metres, Unless Otherwise Noted
2		
1	JULY 2017	Title ORNAMENTAL GRASSES
	Revision Date Approved	
		Approved
CITY CENTRE STANDARD DRAWINGS		Date JULY 2017
		Drawn By Surrey Engineering
		DRAWING NUMBER CCSD-15